

Bendable 180 Degree Spark Plug Terminal

Spark Plug Terminal

Item #
CEP 2019SBZ

Material: Zinc Plated

Feed Direction: Left to Right

Parts Per Carton: 37,500

Parts Per Reel: 2,500

Overall Length (in): 1.565

Overall Length (mm): 39.75

Thickness (in): 0.02

Thickness (mm): 0.51

Wire Size (mm):

Type of Handling Units: BAG - Bag

Type of Packages: BAG - Bag

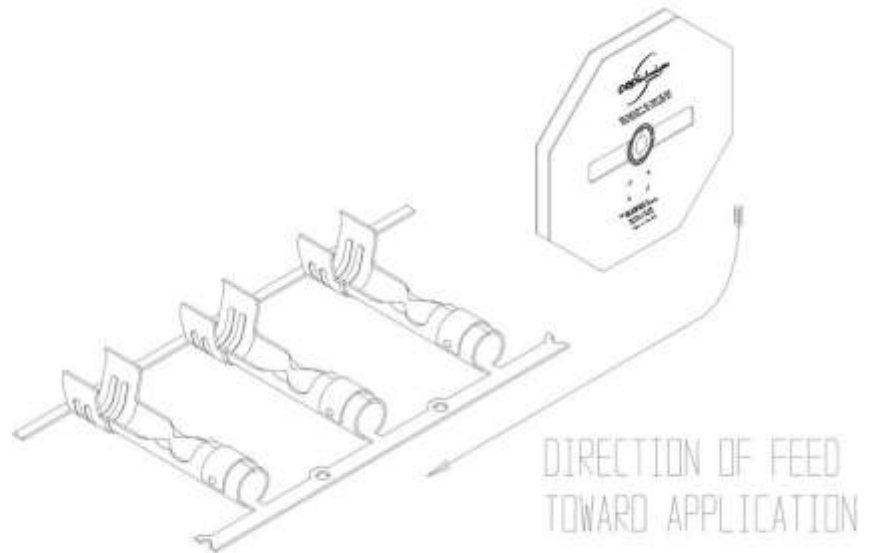
Minimum Order: 1

Package Type: Barrel

Units Per Package: 1

UPS Package Type: Customer Supplied Package

Freight Class: 50



Bendable 180 Degree Spark Plug Terminal Wide Clip

Spark Plug Terminal

Item #
CEP1121

Material: Zinc Plated

Feed Direction: Loose Piece

Parts Per Carton: 7,000

Parts Per Reel:

Overall Length (in): 1.76

Overall Length (mm): 44.7

Thickness (in): 0.02

Thickness (mm): 0.51

Wire Size (mm):

Type of Handling Units: BAG - Bag

Type of Packages: BAG - Bag

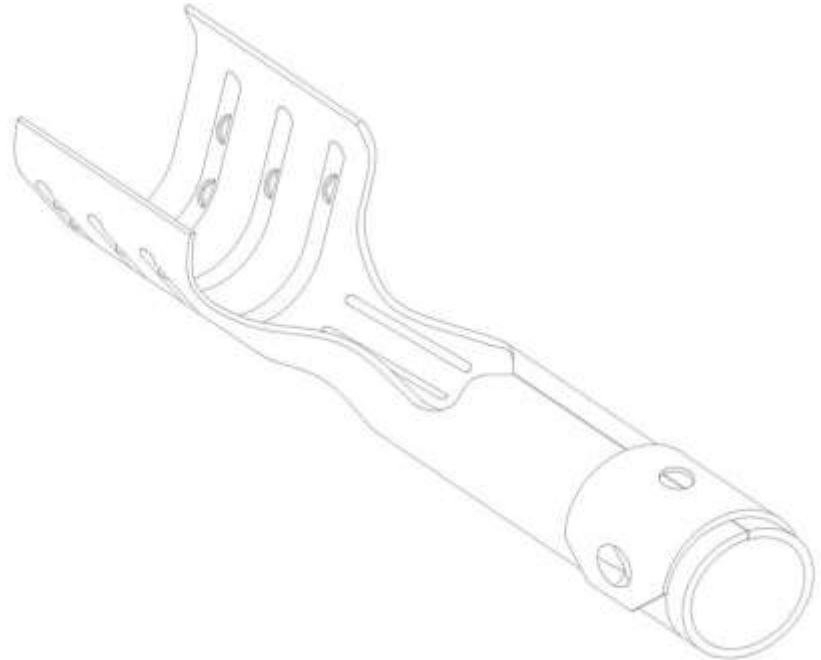
Minimum Order: 1

Package Type: Barrel

Units Per Package: 1

UPS Package Type: Customer Supplied Package

Freight Class: 50



180 Degree Spark Plug Terminal Wide Clip

Spark Plug Terminal

Item #
CEP1160

Material: Zinc Plated

Feed Direction: Loose Piece

Parts Per Carton: 7,000

Parts Per Reel:

Overall Length (in): 1.18

Overall Length (mm): 29.97

Thickness (in): 0.02

Thickness (mm): 0.51

Wire Size (mm):

Type of Handling Units: BAG - Bag

Type of Packages: BAG - Bag

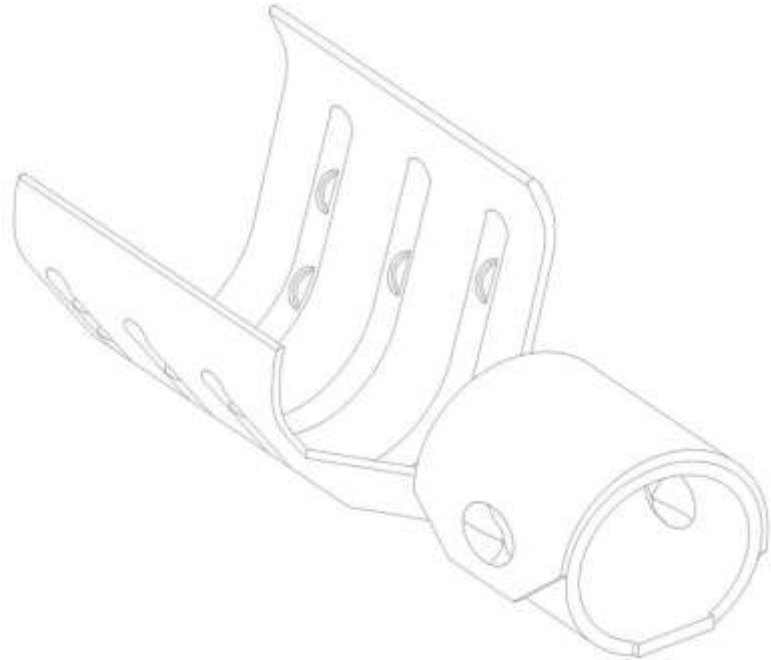
Minimum Order: 1

Package Type: Barrel

Units Per Package: 1

UPS Package Type: Customer Supplied Package

Freight Class: 50



Bendable Distributor Terminal

Distributor Terminal

Item #
CEP1200S

Material: Stainless Steel

Feed Direction: Left to Right

Parts Per Carton: 32,500

Parts Per Reel: 2,500

Overall Length (in): 1.98

Overall Length (mm): 50.29

Thickness (in): 0.018

Thickness (mm): 0.46

Wire Size (mm):

Type of Handling Units: BAG - Bag

Type of Packages: BAG - Bag

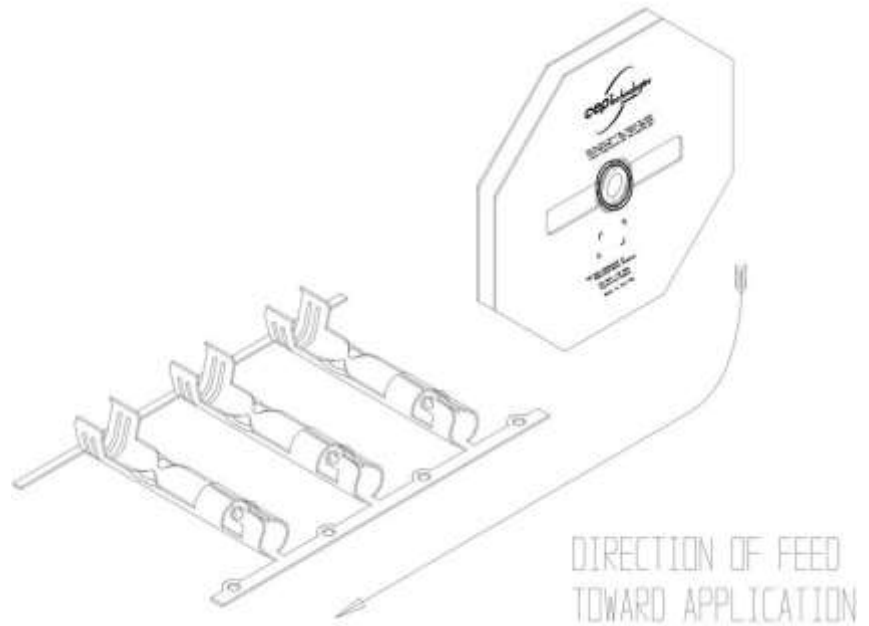
Minimum Order: 1

Package Type: Barrel

Units Per Package: 1

UPS Package Type: Customer Supplied Package

Freight Class: 50



Bendable Distributor Terminal

Distributor Terminal

Item #
CEP1300Z

Material: Zinc Plated

Feed Direction: Left to Right

Parts Per Carton: 32,500

Parts Per Reel: 2,500

Overall Length (in): 1.98

Overall Length (mm): 50.29

Thickness (in): 0.02

Thickness (mm): 0.51

Wire Size (mm):

Type of Handling Units: BAG - Bag

Type of Packages: BAG - Bag

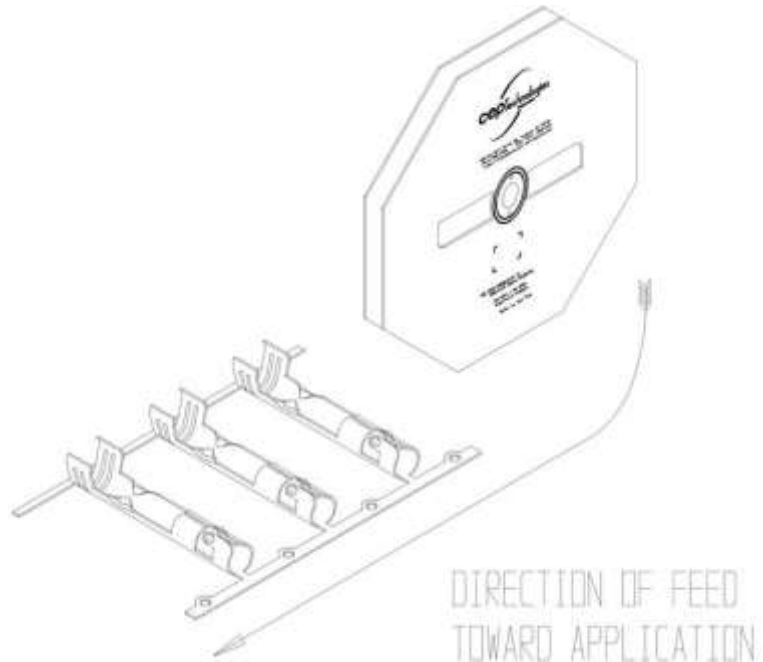
Minimum Order: 1

Package Type: Barrel

Units Per Package: 1

UPS Package Type: Customer Supplied Package

Freight Class: 50



Bendable Distributor Terminal

Distributor Terminal

Item #
CEP1400Z

Material: Zinc Plated

Feed Direction: Left to Right

Parts Per Carton: 32,500

Parts Per Reel: 2,500

Overall Length (in): 1.98

Overall Length (mm): 50.29

Thickness (in): 0.02

Thickness (mm): 0.51

Wire Size (mm):

Type of Handling Units: BAG - Bag

Type of Packages: BAG - Bag

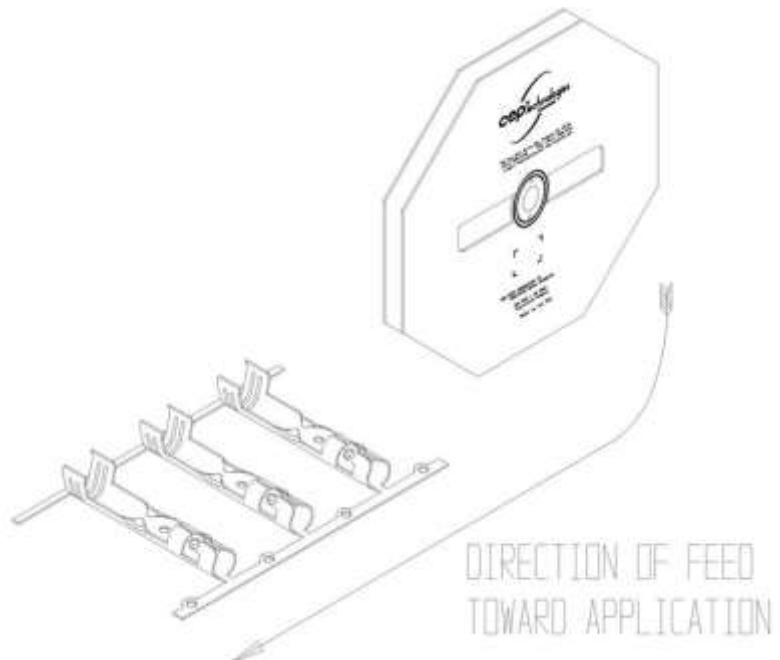
Minimum Order: 1

Package Type: Barrel

Units Per Package: 1

UPS Package Type: Customer Supplied Package

Freight Class: 50



180 Degere Spark Plug Terminal Wide Clip

Spark Plug Terminal

Item #
CEP17910

Material: Stainless Steel

Feed Direction: Loose Piece

Parts Per Carton: 7,000

Parts Per Reel:

Overall Length (in): 1.17

Overall Length (mm): 29.72

Thickness (in): 0.018

Thickness (mm): 0.46

Wire Size (mm): 9.00

Type of Handling Units: BAG - Bag

Type of Packages: BAG - Bag

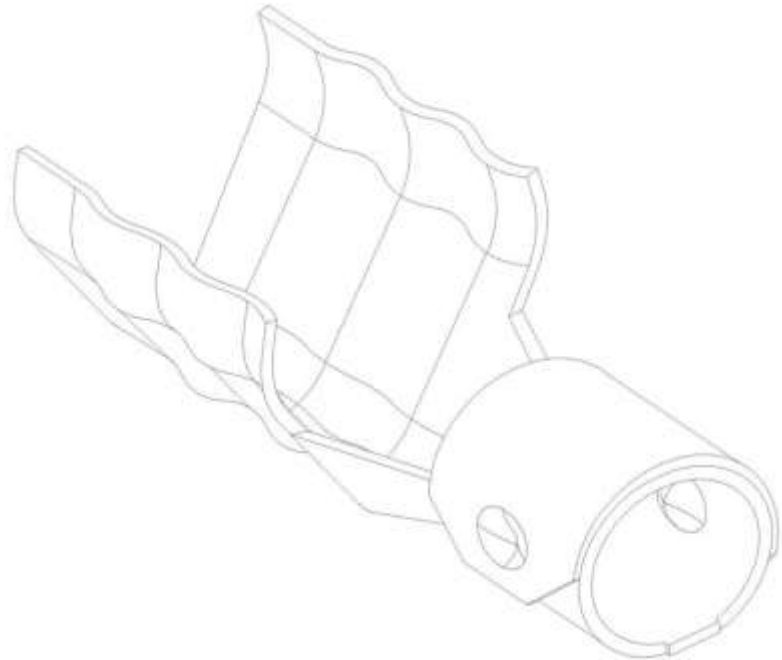
Minimum Order: 1

Package Type: Barrel

Units Per Package: 1

UPS Package Type: Customer Supplied Package

Freight Class: 50



90 Degree Spark Plug Terminal

Spark Plug Terminal

Item #
CEP17911

Material: Stainless Steel

Feed Direction: Loose Piece

Parts Per Carton: 7,000

Parts Per Reel:

Overall Length (in): 0.77

Overall Length (mm): 19.56

Thickness (in): 0.018

Thickness (mm): 0.46

Wire Size (mm): 9.00

Type of Handling Units: BAG - Bag

Type of Packages: BAG - Bag

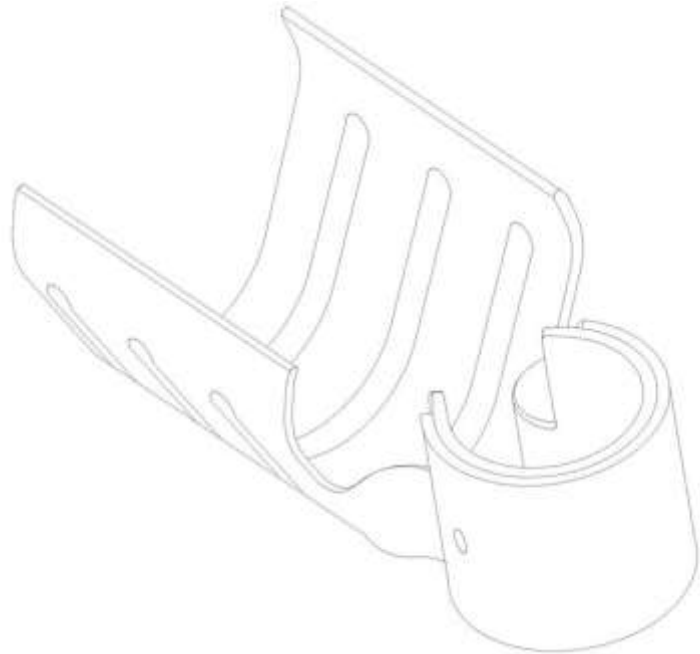
Minimum Order: 1

Package Type: Barrel

Units Per Package: 1

UPS Package Type: Customer Supplied Package

Freight Class: 50



180 Degree Spark Plug Terminal

Spark Plug Terminal

Item #
CEP189835

Material: Zinc Plated

Feed Direction: Left to Right

Parts Per Carton: 13,500

Parts Per Reel: 1,500

Overall Length (in): 3

Overall Length (mm): 76.2

Thickness (in): 0.02

Thickness (mm): 0.51

Wire Size (mm):

Type of Handling Units: BAG - Bag

Type of Packages: BAG - Bag

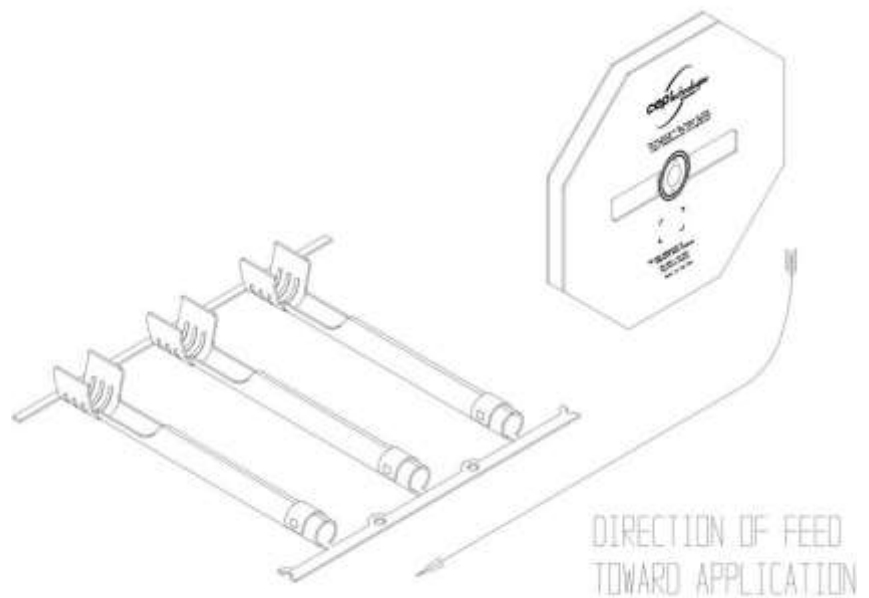
Minimum Order: 1

Package Type: Barrel

Units Per Package: 1

UPS Package Type: Customer Supplied Package

Freight Class: 50



180 Degree Spark Plug Terminal

Spark Plug Terminal

Item #
CEP189835S

Material: Stainless Steel

Feed Direction: Left to Right

Parts Per Carton: 13,500

Parts Per Reel: 1,500

Overall Length (in): 3

Overall Length (mm): 76.2

Thickness (in): 0.02

Thickness (mm): 0.51

Wire Size (mm):

Type of Handling Units: BAG - Bag

Type of Packages: BAG - Bag

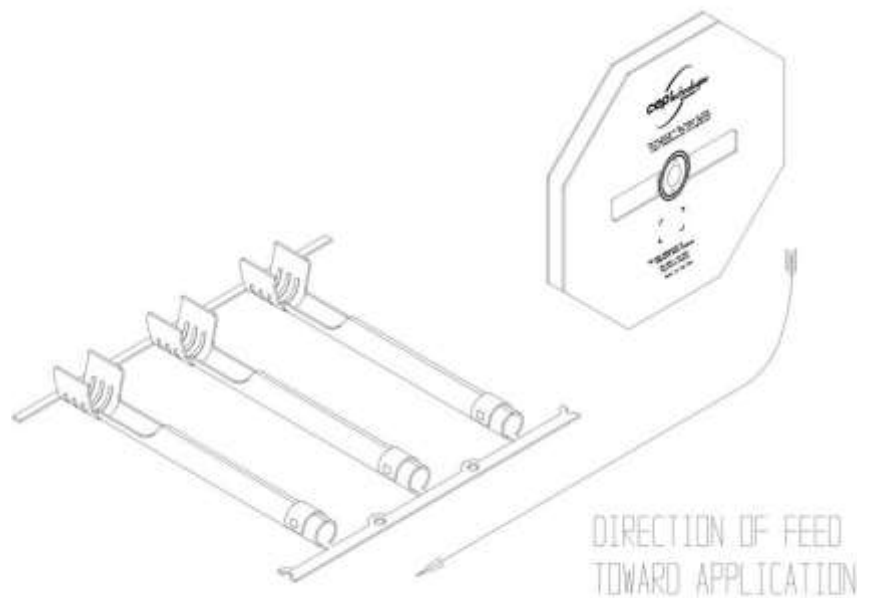
Minimum Order: 1

Package Type: Barrel

Units Per Package: 1

UPS Package Type: Customer Supplied Package

Freight Class: 50



180 Degree Spark Plug Terminal

Spark Plug Terminal

Item #
CEP192445

Material: Zinc Plated

Feed Direction: Left to Right

Parts Per Carton: 13,500

Parts Per Reel: 1,500

Overall Length (in): 3.015

Overall Length (mm): 76.58

Thickness (in): 0.02

Thickness (mm): 0.51

Wire Size (mm):

Type of Handling Units: BAG - Bag

Type of Packages: BAG - Bag

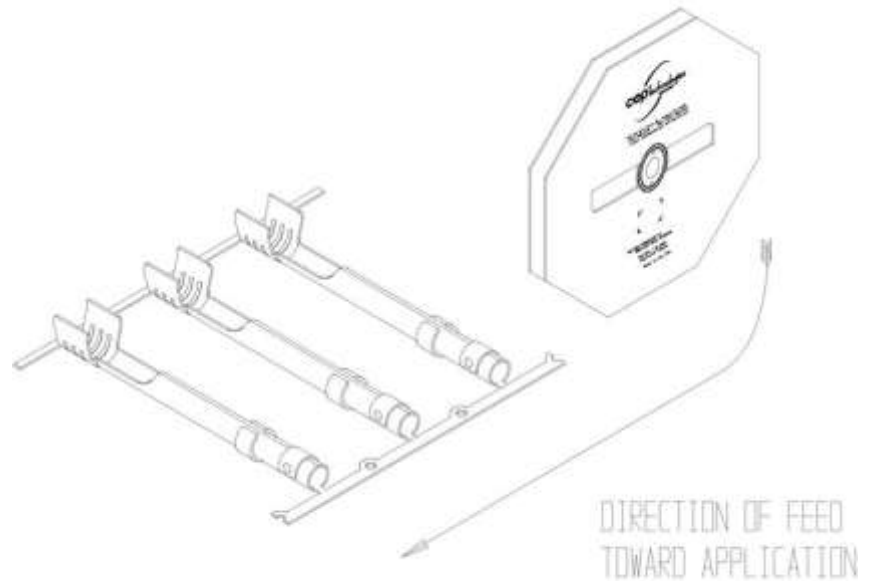
Minimum Order: 1

Package Type: Barrel

Units Per Package: 1

UPS Package Type: Customer Supplied Package

Freight Class: 50



Pre-Bent 90 Degree Distributor Terminal

Distributor Terminal

Item #
CEP192647

Material: Stainless Steel

Feed Direction: Left to Right

Parts Per Carton: 12,000

Parts Per Reel: 800

Overall Length (in): 1

Overall Length (mm): 25.4

Thickness (in): 0.018

Thickness (mm): 0.46

Wire Size (mm):

Type of Handling Units: BAG - Bag

Type of Packages: BAG - Bag

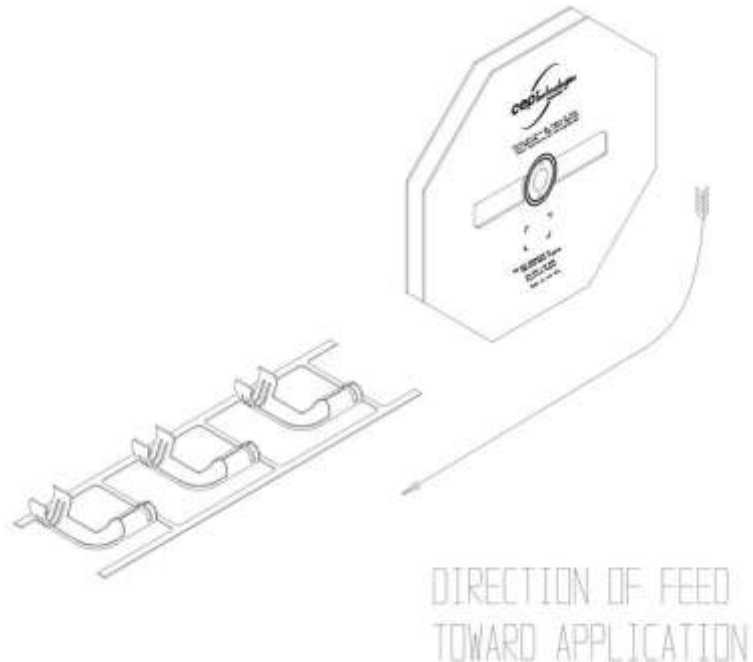
Minimum Order: 1

Package Type: Barrel

Units Per Package: 1

UPS Package Type: Customer Supplied Package

Freight Class: 50



Bendable Distributor Terminal

Distributor Terminal

Item #
CEP2010

Material: Brass

Feed Direction: Left to Right

Parts Per Carton: 32,500

Parts Per Reel: 2,500

Overall Length (in): 1.98

Overall Length (mm): 50.29

Thickness (in): 0.02

Thickness (mm): 0.51

Wire Size (mm):

Type of Handling Units: BAG - Bag

Type of Packages: BAG - Bag

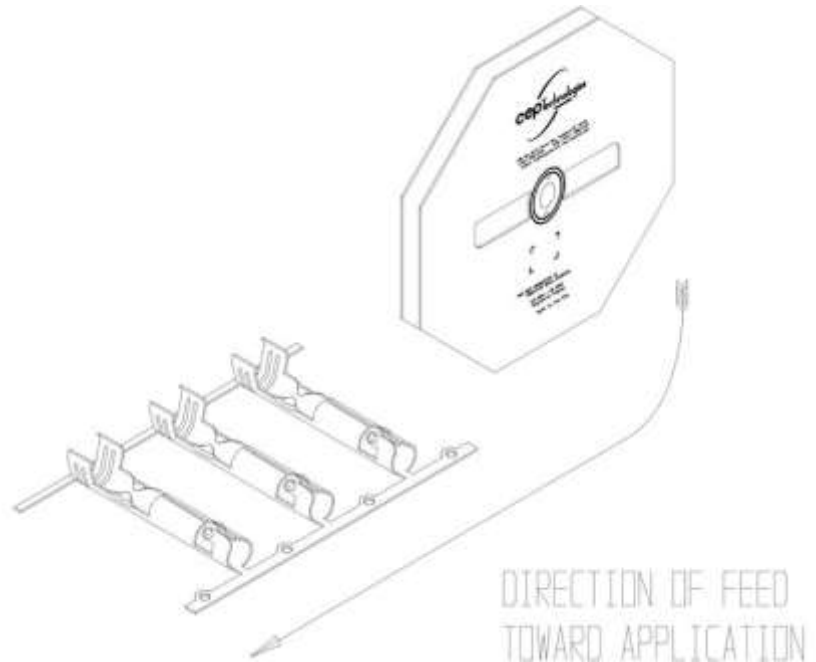
Minimum Order: 1

Package Type: Barrel

Units Per Package: 1

UPS Package Type: Customer Supplied Package

Freight Class: 50



Pre-Bent Distributor Terminal

Distributor Terminal

Item #
CEP2010BL

Material: Brass

Feed Direction: Loose Piece

Parts Per Carton: 3,500

Parts Per Reel:

Overall Length (in): 1.98

Overall Length (mm): 50.29

Thickness (in): 0.02

Thickness (mm): 0.51

Wire Size (mm):

Type of Handling Units: BAG - Bag

Type of Packages: BAG - Bag

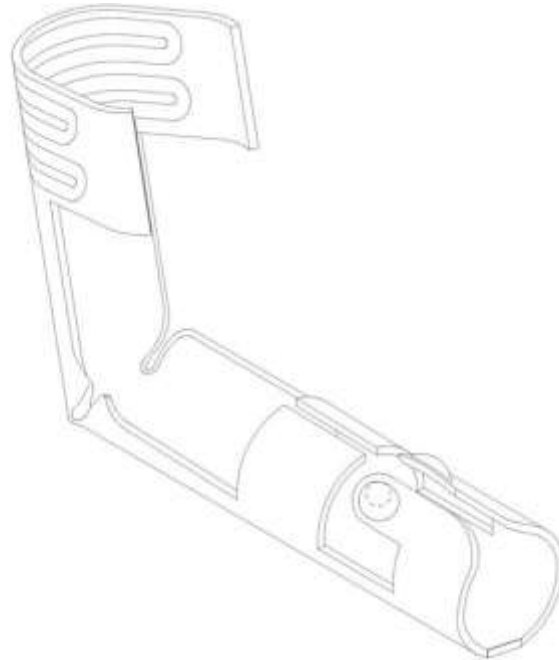
Minimum Order: 1

Package Type: Barrel

Units Per Package: 1

UPS Package Type: Customer Supplied Package

Freight Class: 50



Bendable Distributor Terminal

Distributor Terminal

Item #
CEP2010SL

Material: Stainless Steel

Feed Direction: Loose Piece

Parts Per Carton: 3,500

Parts Per Reel:

Overall Length (in): 1.98

Overall Length (mm): 50.29

Thickness (in): 0.018

Thickness (mm): 0.46

Wire Size (mm):

Type of Handling Units: BAG - Bag

Type of Packages: BAG - Bag

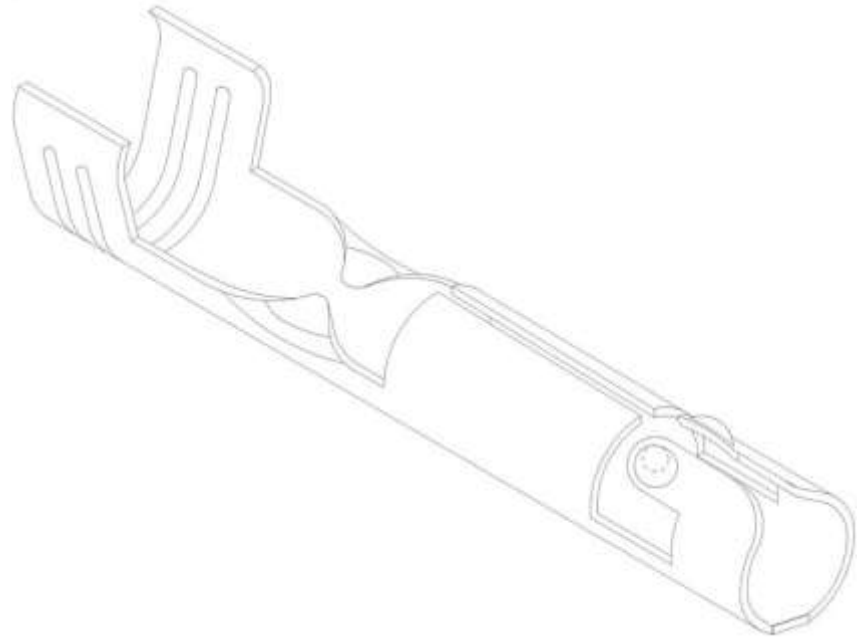
Minimum Order: 1

Package Type: Barrel

Units Per Package: 1

UPS Package Type: Customer Supplied Package

Freight Class: 50



180 Degree Distributor Terminal

Distributor Terminal

Item #
CEP2011

Material: Alloy Bronze

Feed Direction: Rear

Parts Per Carton: 120,000

Parts Per Reel: 6,000

Overall Length (in): 0.67

Overall Length (mm): 17.02

Thickness (in): 0.02

Thickness (mm): 0.51

Wire Size (mm): 7.00

Type of Handling Units: BAG - Bag

Type of Packages: BAG - Bag

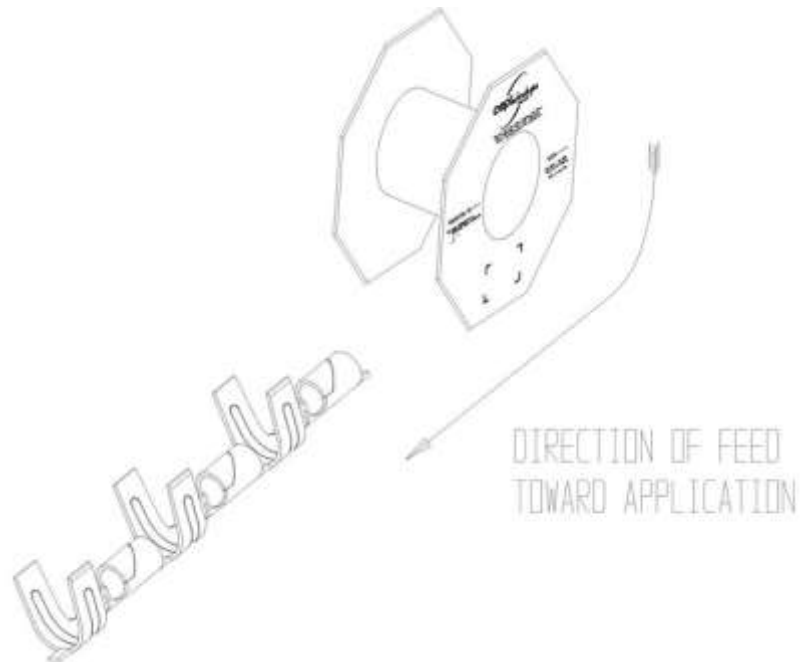
Minimum Order: 1

Package Type: Barrel

Units Per Package: 1

UPS Package Type: Customer Supplied Package

Freight Class: 50



Bendable Distributor Terminal

Distributor Terminal

Item #
CEP2012

Material: Brass

Feed Direction: Left to Right

Parts Per Carton: 32,500

Parts Per Reel: 2,500

Overall Length (in): 1.98

Overall Length (mm): 50.29

Thickness (in): 0.02

Thickness (mm): 0.51

Wire Size (mm):

Type of Handling Units: BAG - Bag

Type of Packages: BAG - Bag

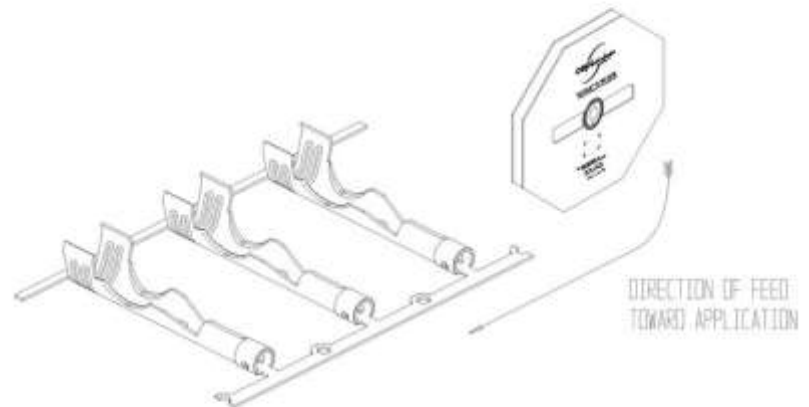
Minimum Order: 1

Package Type: Barrel

Units Per Package: 1

UPS Package Type: Customer Supplied Package

Freight Class: 50



Bendable Distributor Terminal

Distributor Terminal

Item #
CEP2012S

Material: Stainless Steel

Feed Direction: Left to Right

Parts Per Carton: 32,500

Parts Per Reel: 2,500

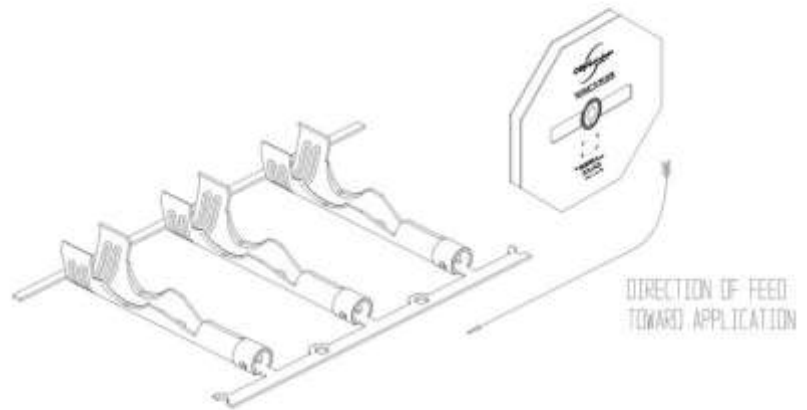
Overall Length (in): 1.98

Overall Length (mm): 50.29

Thickness (in): 0.018

Thickness (mm): 0.46

Wire Size (mm):



Type of Handling Units: BAG - Bag

Type of Packages: BAG - Bag

Minimum Order: 1

Package Type: Barrel

Units Per Package: 1

UPS Package Type: Customer Supplied Package

Freight Class: 50

Bendable Distributor Terminal

Distributor Terminal

Item #
CEP2013

Material: Alloy Bronze

Feed Direction: Left to Right

Parts Per Carton: 30,000

Parts Per Reel: 2,500

Overall Length (in): 2.32

Overall Length (mm): 58.93

Thickness (in): 0.02

Thickness (mm): 0.51

Wire Size (mm):

Type of Handling Units: BAG - Bag

Type of Packages: BAG - Bag

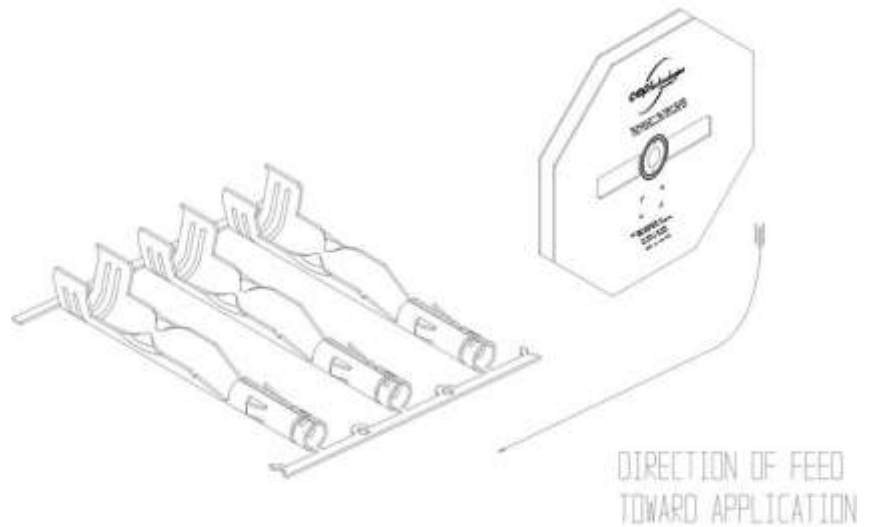
Minimum Order: 1

Package Type: Barrel

Units Per Package: 1

UPS Package Type: Customer Supplied Package

Freight Class: 50



Bendable Distributor Terminal

Item #
CEP2015

Distributor Terminal

Material: Brass

Feed Direction: Left to Right

Parts Per Carton: 32,500

Parts Per Reel: 2,500

Overall Length (in): 1.98

Overall Length (mm): 50.29

Thickness (in): 0.02

Thickness (mm): 0.51

Wire Size (mm):

Type of Handling Units: BAG - Bag

Type of Packages: BAG - Bag

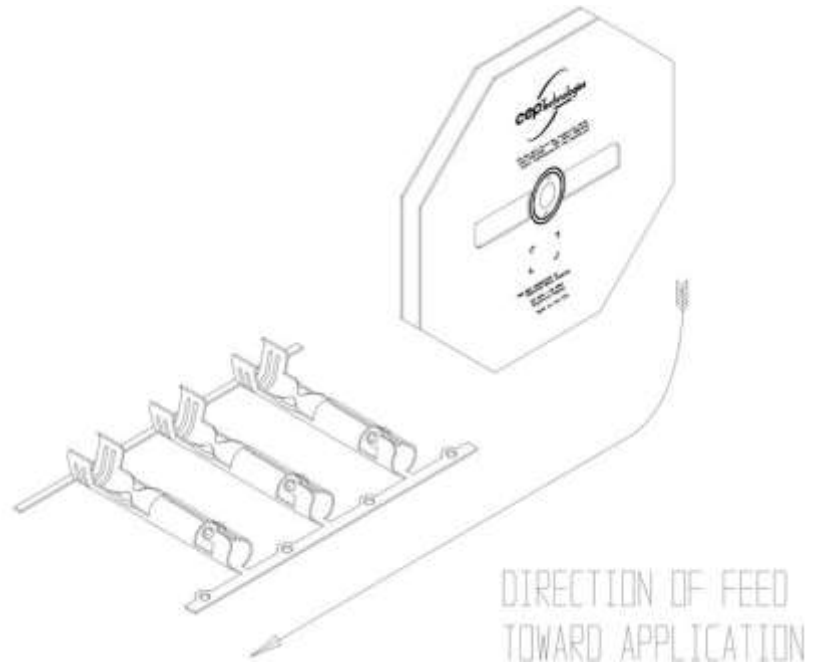
Minimum Order: 1

Package Type: Barrel

Units Per Package: 1

UPS Package Type: Customer Supplied Package

Freight Class: 50



Bendable Distributor Terminal

Distributor Terminal

Item #
CEP2015BL

Material: Brass

Feed Direction: Loose Piece

Parts Per Carton: 3,500

Parts Per Reel:

Overall Length (in): 1.98

Overall Length (mm): 50.29

Thickness (in): 0.02

Thickness (mm): 0.51

Wire Size (mm):

Type of Handling Units: BAG - Bag

Type of Packages: BAG - Bag

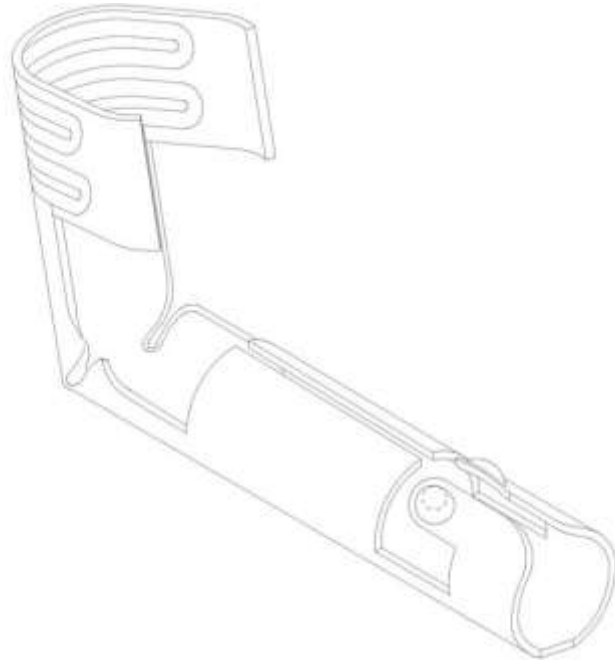
Minimum Order: 1

Package Type: Barrel

Units Per Package: 1

UPS Package Type: Customer Supplied Package

Freight Class: 50



Bendable Distributor Terminal

Distributor Terminal

Item #
CEP2015S

Material: Stainless Steel

Feed Direction: Left to Right

Parts Per Carton: 32,500

Parts Per Reel: 2,500

Overall Length (in): 1.98

Overall Length (mm): 50.29

Thickness (in): 0.018

Thickness (mm): 0.46

Wire Size (mm):

Type of Handling Units: BAG - Bag

Type of Packages: BAG - Bag

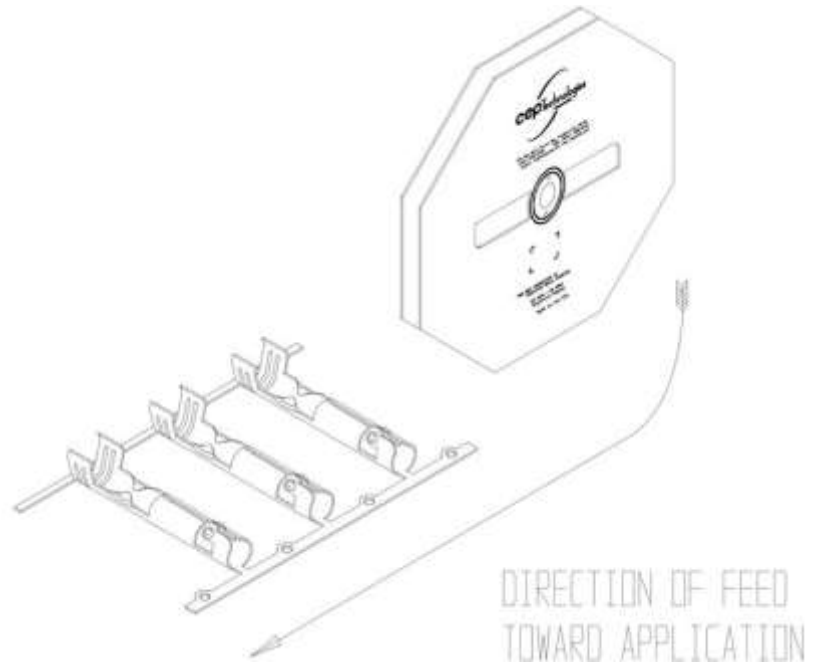
Minimum Order: 1

Package Type: Barrel

Units Per Package: 1

UPS Package Type: Customer Supplied Package

Freight Class: 50



Bendable Distributor Terminal

Item #
CEP2016B

Distributor Terminal

Material: Brass

Feed Direction: Left to Right

Parts Per Carton: 32,500

Parts Per Reel: 2,500

Overall Length (in): 1.98

Overall Length (mm): 50.29

Thickness (in): 0.02

Thickness (mm): 0.51

Wire Size (mm):

Type of Handling Units: BAG - Bag

Type of Packages: BAG - Bag

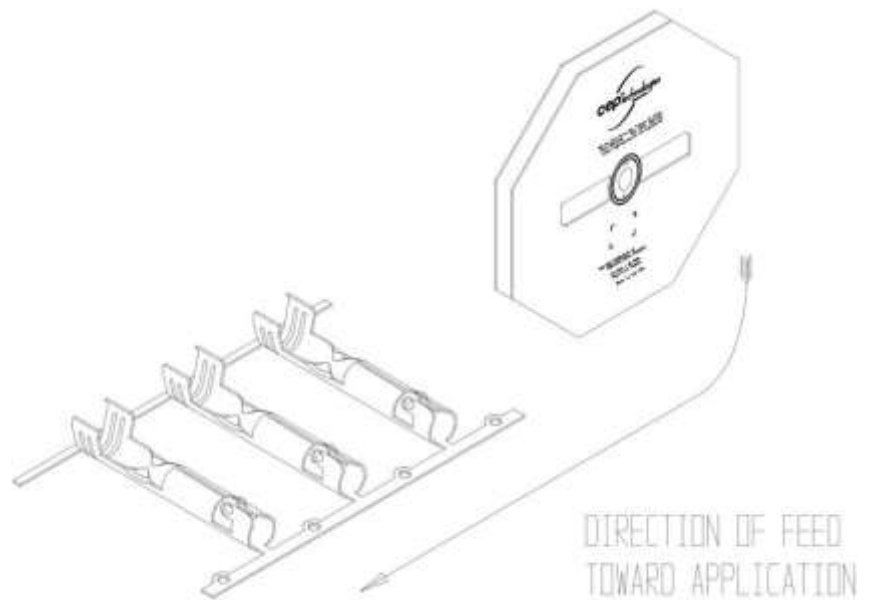
Minimum Order: 1

Package Type: Barrel

Units Per Package: 1

UPS Package Type: Customer Supplied Package

Freight Class: 50



Bendable 180 Degree Spark Plug Terminal

Spark Plug Terminal

Item #
CEP2019S

Material: Stainless Steel

Feed Direction: Left to Right

Parts Per Carton: 37,500

Parts Per Reel: 2,500

Overall Length (in): 1.565

Overall Length (mm): 39.75

Thickness (in): 0.02

Thickness (mm): 0.51

Wire Size (mm):

Type of Handling Units: BAG - Bag

Type of Packages: BAG - Bag

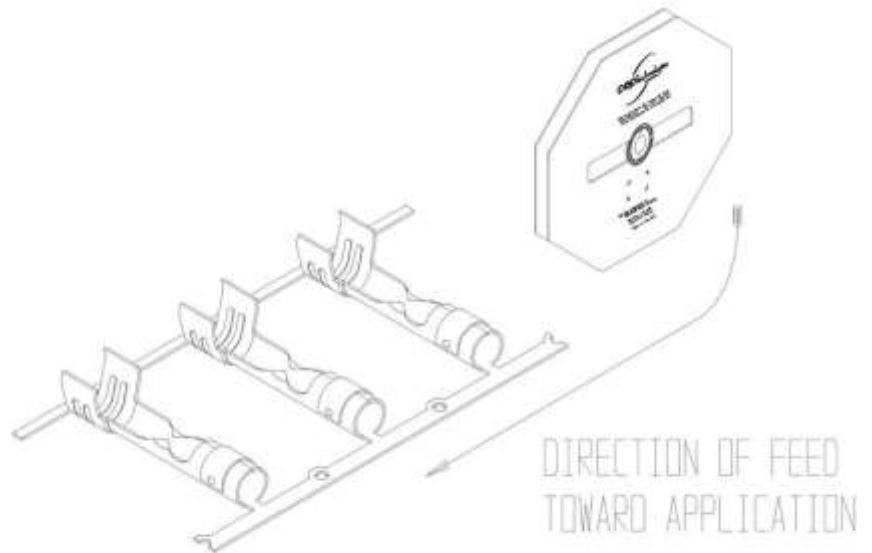
Minimum Order: 1

Package Type: Barrel

Units Per Package: 1

UPS Package Type: Customer Supplied Package

Freight Class: 50



Bendable 180 Degree Spark Plug Terminal

Spark Plug Terminal

Item #
CEP2019SBS

Material: Stainless Steel

Feed Direction: Left to Right

Parts Per Carton: 37,500

Parts Per Reel: 2,500

Overall Length (in): 1.565

Overall Length (mm): 39.75

Thickness (in): 0.02

Thickness (mm): 0.51

Wire Size (mm):

Type of Handling Units: BAG - Bag

Type of Packages: BAG - Bag

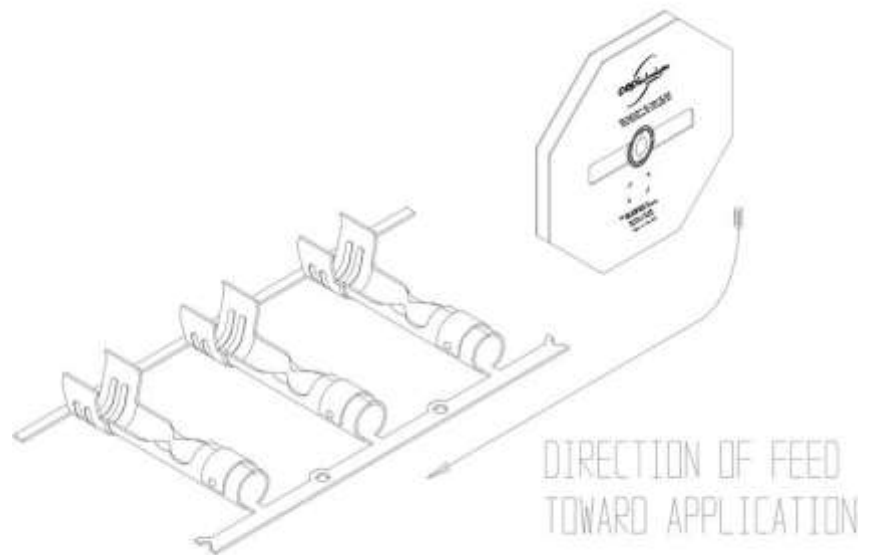
Minimum Order: 1

Package Type: Barrel

Units Per Package: 1

UPS Package Type: Customer Supplied Package

Freight Class: 50



Bendable 180 Degree Spark Plug Terminal

Spark Plug Terminal

Item #
CEP2019Z

Material: Zinc Plated

Feed Direction: Left to Right

Parts Per Carton: 37,500

Parts Per Reel: 2,500

Overall Length (in): 1.565

Overall Length (mm): 39.75

Thickness (in): 0.02

Thickness (mm): 0.51

Wire Size (mm):

Type of Handling Units: BAG - Bag

Type of Packages: BAG - Bag

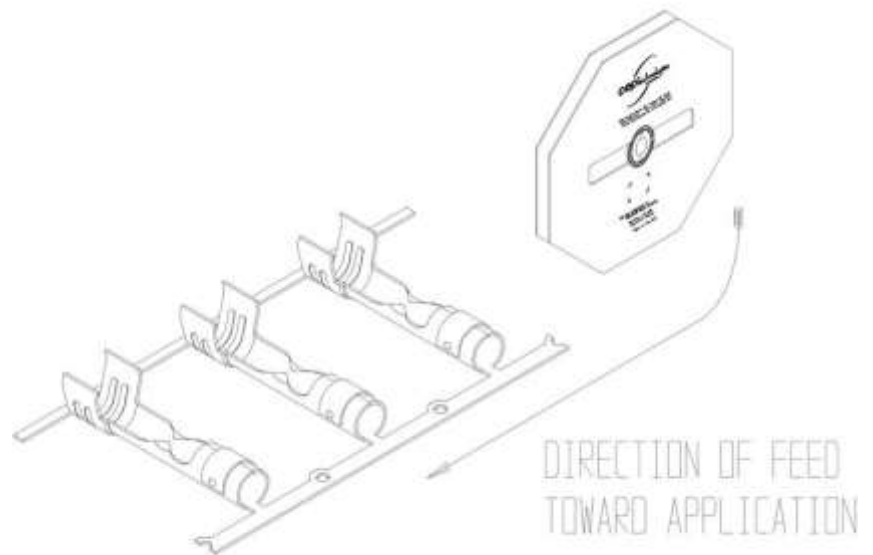
Minimum Order: 1

Package Type: Barrel

Units Per Package: 1

UPS Package Type: Customer Supplied Package

Freight Class: 50



Bendable 180 Degree Spark Plug Terminal

Spark Plug Terminal

Item #
CEP2020S

Material: Stainless Steel

Feed Direction: Left to Right

Parts Per Carton: 32,500

Parts Per Reel: 2,500

Overall Length (in): 2.06

Overall Length (mm): 52.32

Thickness (in): 0.02

Thickness (mm): 0.51

Wire Size (mm):

Type of Handling Units: BAG - Bag

Type of Packages: BAG - Bag

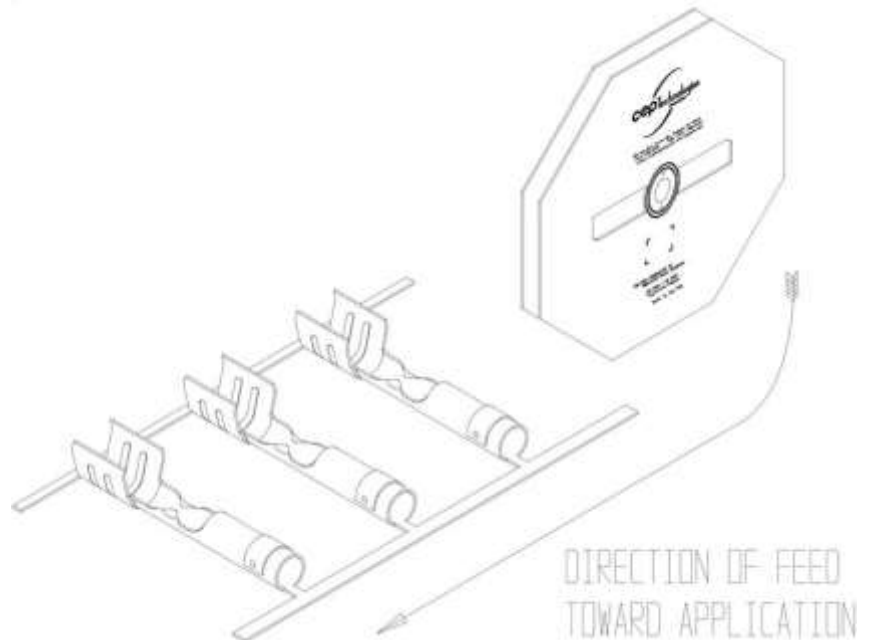
Minimum Order: 1

Package Type: Barrel

Units Per Package: 1

UPS Package Type: Customer Supplied Package

Freight Class: 50



Bendable 180 Degree Spark Plug Terminal

Spark Plug Terminal

Item #
CEP2020Z

Material: Zinc Plated

Feed Direction: Left to Right

Parts Per Carton: 32,500

Parts Per Reel: 2,500

Overall Length (in): 2.06

Overall Length (mm): 52.32

Thickness (in): 0.02

Thickness (mm): 0.51

Wire Size (mm):

Type of Handling Units: BAG - Bag

Type of Packages: BAG - Bag

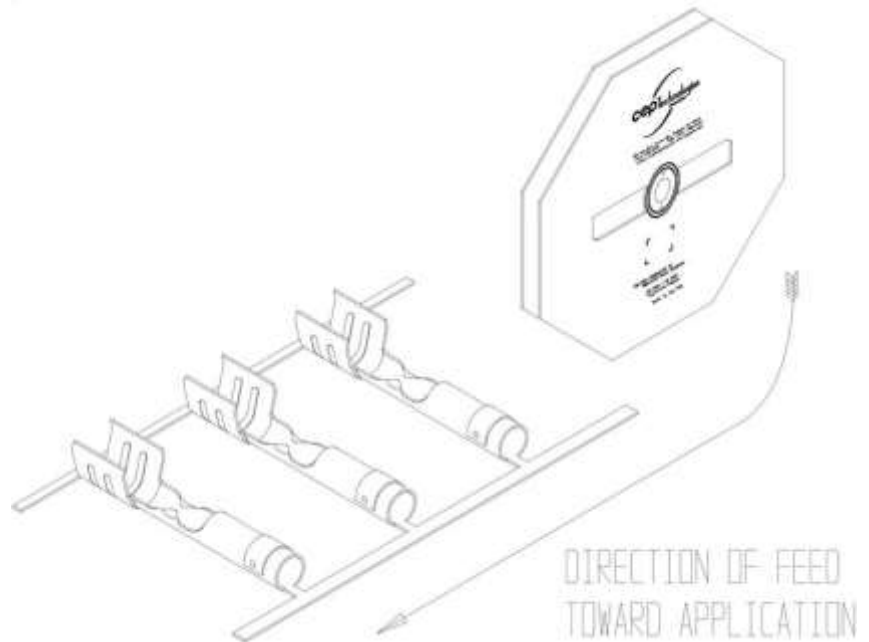
Minimum Order: 1

Package Type: Barrel

Units Per Package: 1

UPS Package Type: Customer Supplied Package

Freight Class: 50



Bendable 180 Degree Spark Plug Terminal

Spark Plug Terminal

Item #
CEP2021Z

Material: Zinc Plated

Feed Direction: Left to Right

Parts Per Carton: 32,500

Parts Per Reel: 2,500

Overall Length (in): 2.06

Overall Length (mm): 52.32

Thickness (in): 0.02

Thickness (mm): 0.51

Wire Size (mm):

Type of Handling Units: BAG - Bag

Type of Packages: BAG - Bag

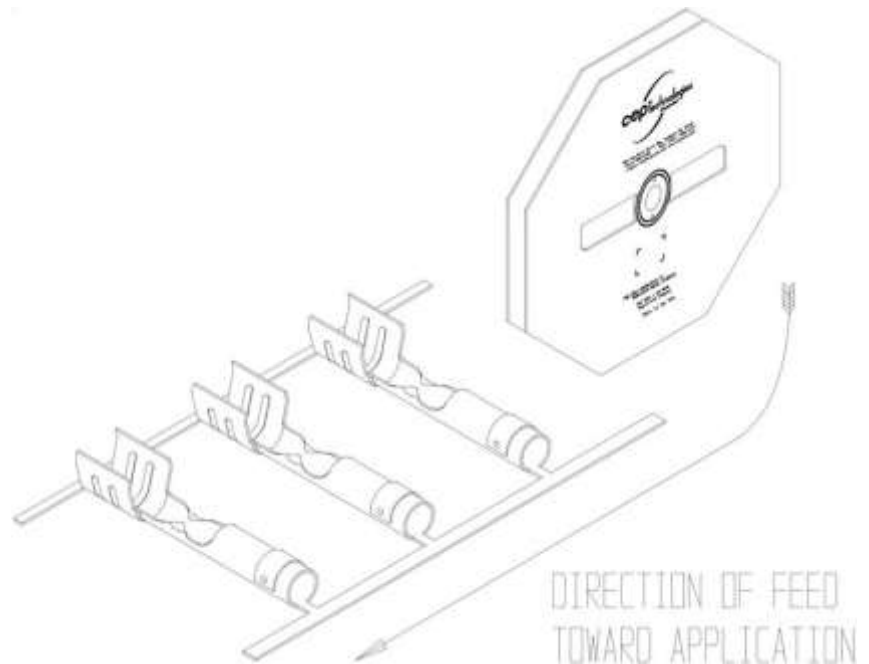
Minimum Order: 1

Package Type: Barrel

Units Per Package: 1

UPS Package Type: Customer Supplied Package

Freight Class: 50



180 Degree Spark Plug Terminal

Spark Plug Terminal

Item #
CEP2024S

Material: Stainless Steel

Feed Direction: Left to Right

Parts Per Carton: 32,500

Parts Per Reel: 2,500

Overall Length (in): 2.06

Overall Length (mm): 52.32

Thickness (in): 0.02

Thickness (mm): 0.51

Wire Size (mm):

Type of Handling Units: BAG - Bag

Type of Packages: BAG - Bag

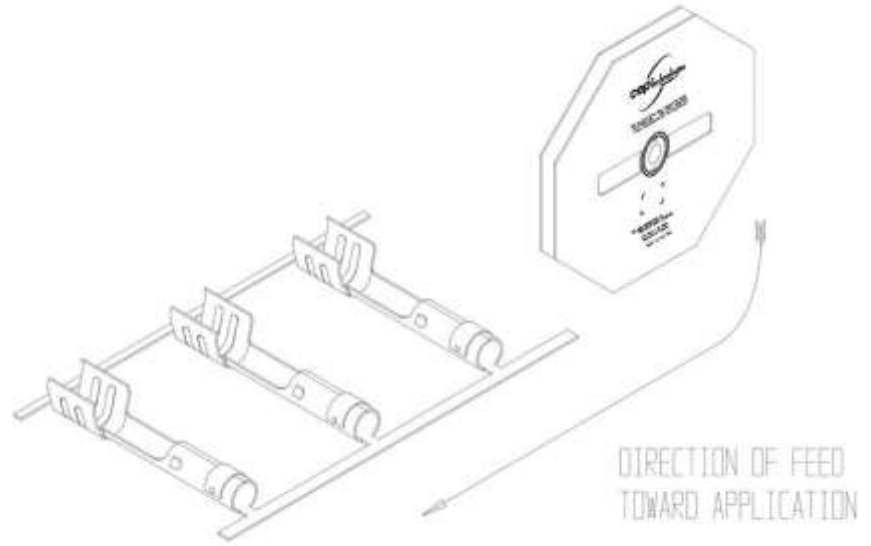
Minimum Order: 1

Package Type: Barrel

Units Per Package: 1

UPS Package Type: Customer Supplied Package

Freight Class: 50



180 Degree Spark Plug Terminal

Spark Plug Terminal

Item #
CEP2024Z

Material: Zinc Plated

Feed Direction: Left to Right

Parts Per Carton: 32,500

Parts Per Reel: 2,500

Overall Length (in): 2.06

Overall Length (mm): 52.32

Thickness (in): 0.02

Thickness (mm): 0.51

Wire Size (mm):

Type of Handling Units: BAG - Bag

Type of Packages: BAG - Bag

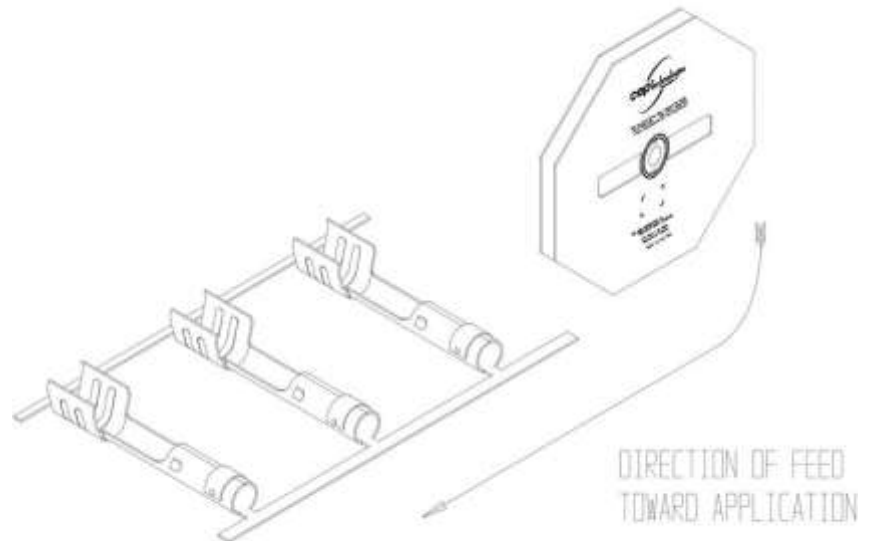
Minimum Order: 1

Package Type: Barrel

Units Per Package: 1

UPS Package Type: Customer Supplied Package

Freight Class: 50



90 Degree Spark Plug Terminal

Item #
CEP2025S

Spark Plug Terminal

Material: Stainless Steel

Feed Direction: Left to Right

Parts Per Carton: 52,500

Parts Per Reel: 2,500

Overall Length (in): 0.935

Overall Length (mm): 23.75

Thickness (in): 0.02

Thickness (mm): 0.51

Wire Size (mm):

Type of Handling Units: BAG - Bag

Type of Packages: BAG - Bag

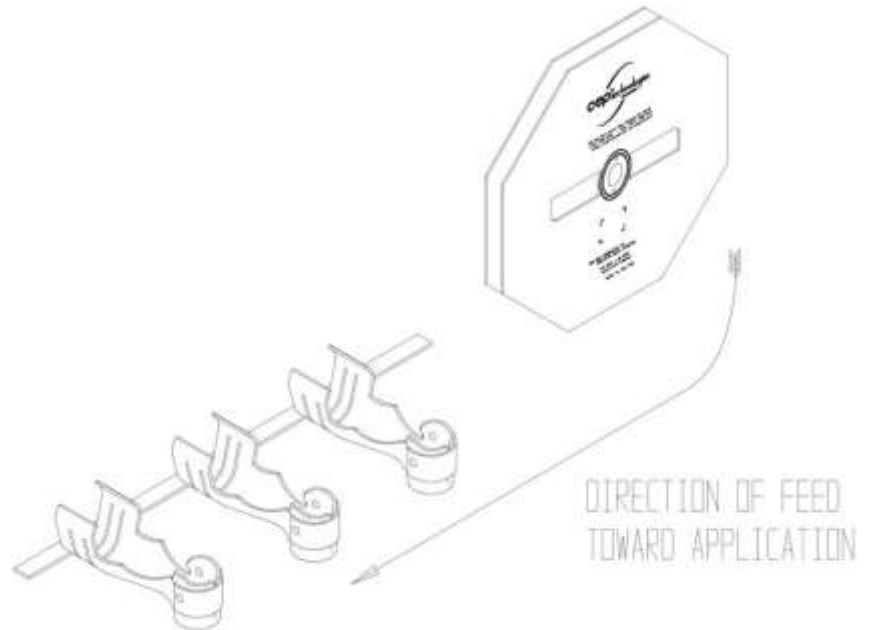
Minimum Order: 1

Package Type: Barrel

Units Per Package: 1

UPS Package Type: Customer Supplied Package

Freight Class: 50



90 Degree Spark Plug Terminal

Spark Plug Terminal

Item #
CEP2025SL

Material: Stainless Steel

Feed Direction: Loose Piece

Parts Per Carton: 7,000

Parts Per Reel:

Overall Length (in): 0.935

Overall Length (mm): 23.75

Thickness (in): 0.02

Thickness (mm): 0.51

Wire Size (mm):

Type of Handling Units: BAG - Bag

Type of Packages: BAG - Bag

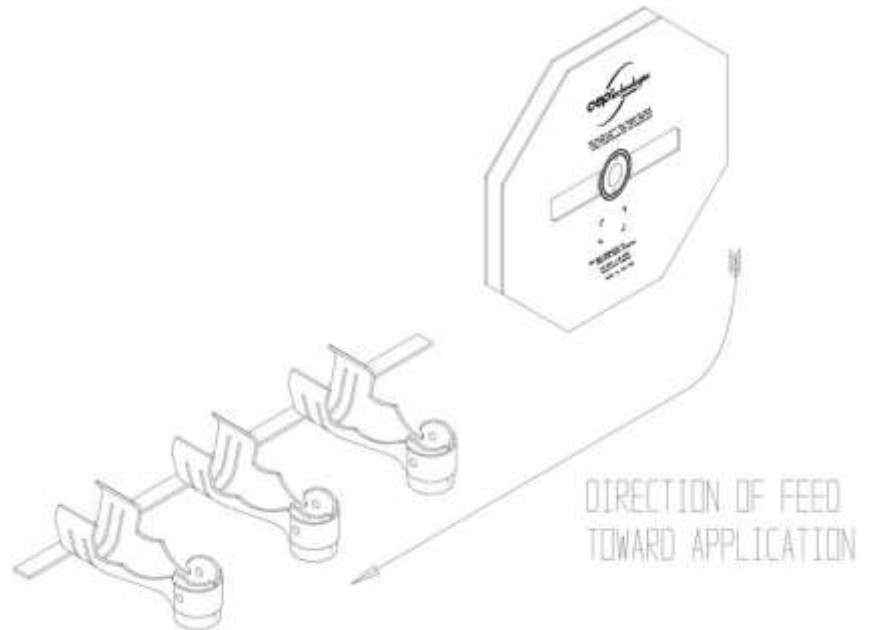
Minimum Order: 1

Package Type: Barrel

Units Per Package: 1

UPS Package Type: Customer Supplied Package

Freight Class: 50



90 Degree Spark Plug Terminal

Spark Plug Terminal

Item #
CEP2025SW

Material: Stainless Steel

Feed Direction: Left to Right

Parts Per Carton: 52,500

Parts Per Reel: 2,500

Overall Length (in): 0.935

Overall Length (mm): 23.75

Thickness (in): 0.02

Thickness (mm): 0.51

Wire Size (mm): 8.00

Type of Handling Units: BAG - Bag

Type of Packages: BAG - Bag

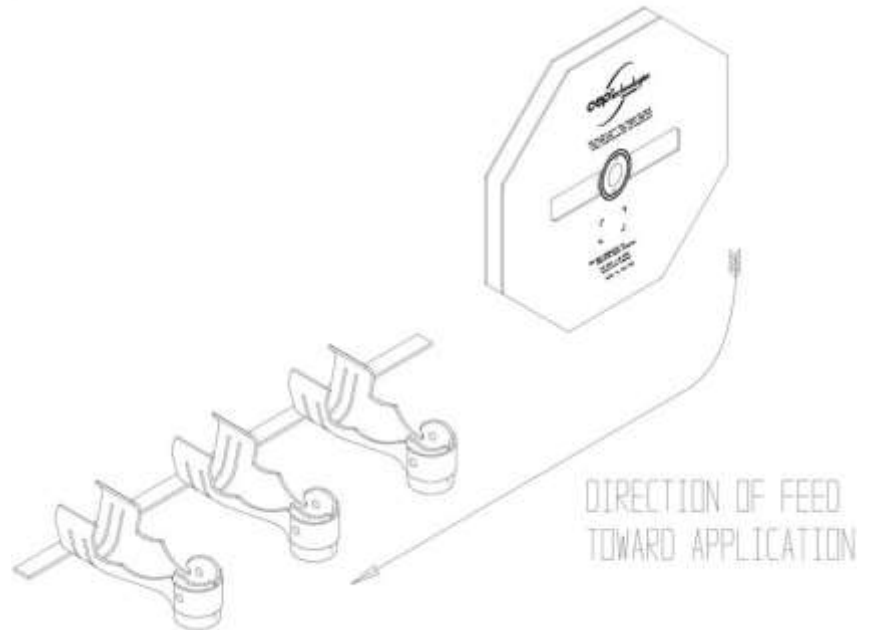
Minimum Order: 1

Package Type: Barrel

Units Per Package: 1

UPS Package Type: Customer Supplied Package

Freight Class: 50



90 Degree Spark Plug Terminal

Spark Plug Terminal

Item #
CEP2025ZB

Material: Zinc Plated

Feed Direction: Left to Right

Parts Per Carton: 52,500

Parts Per Reel: 2,500

Overall Length (in): 0.935

Overall Length (mm): 23.75

Thickness (in): 0.02

Thickness (mm): 0.51

Wire Size (mm):

Type of Handling Units: BAG - Bag

Type of Packages: BAG - Bag

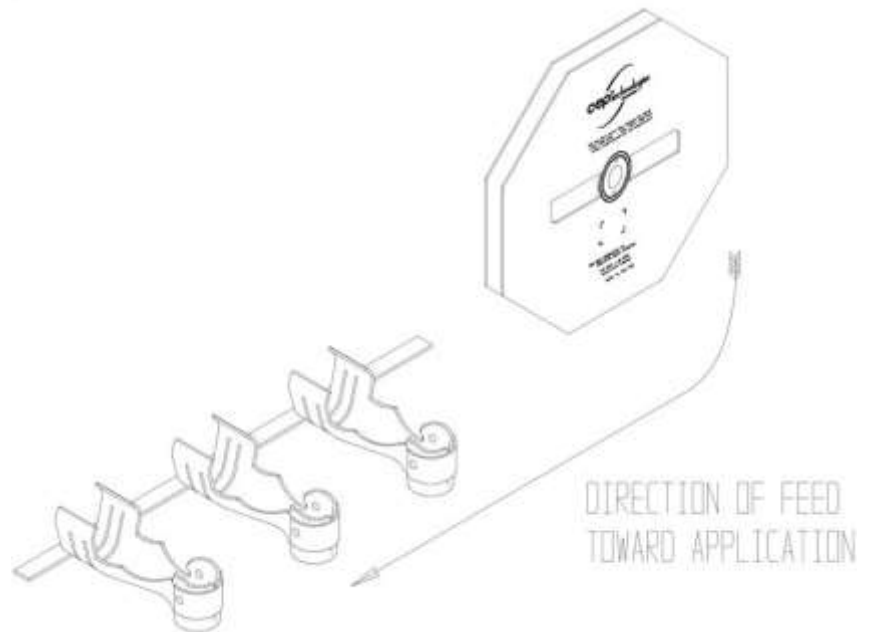
Minimum Order: 1

Package Type: Barrel

Units Per Package: 1

UPS Package Type: Customer Supplied Package

Freight Class: 50



90 Degree Spark Plug Terminal

Spark Plug Terminal

Item #
CEP2025ZL

Material: Zinc Plated

Feed Direction: Loose Piece

Parts Per Carton: 7,000

Parts Per Reel:

Overall Length (in): 0.935

Overall Length (mm): 23.75

Thickness (in): 0.02

Thickness (mm): 0.51

Wire Size (mm):

Type of Handling Units: BAG - Bag

Type of Packages: BAG - Bag

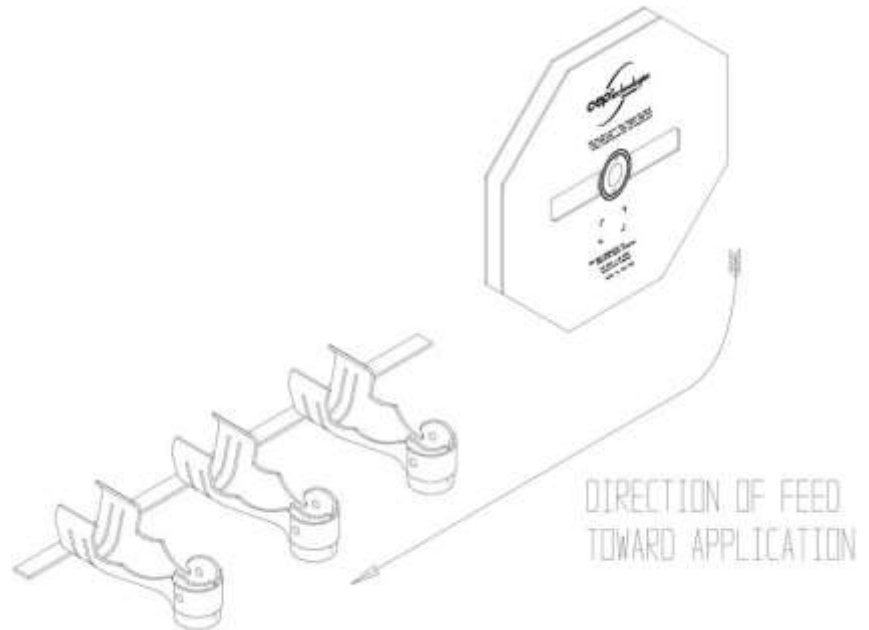
Minimum Order: 1

Package Type: Barrel

Units Per Package: 1

UPS Package Type: Customer Supplied Package

Freight Class: 50



90 Degree Spark Plug Terminal

Item #
CEP2025ZW

Spark Plug Terminal

Material: Zinc Plated

Feed Direction: Left to Right

Parts Per Carton: 52,500

Parts Per Reel: 2,500

Overall Length (in): 0.935

Overall Length (mm): 23.75

Thickness (in): 0.02

Thickness (mm): 0.51

Wire Size (mm): 8.00

Type of Handling Units: BAG - Bag

Type of Packages: BAG - Bag

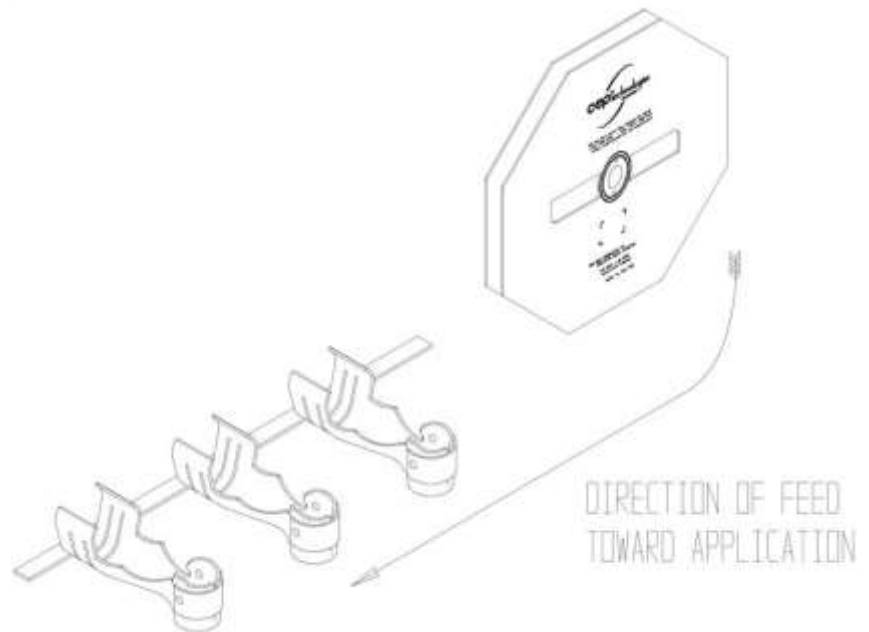
Minimum Order: 1

Package Type: Barrel

Units Per Package: 1

UPS Package Type: Customer Supplied Package

Freight Class: 50



90 Degree Spark Plug Terminal

Spark Plug Terminal

Item #
CEP2027S

Material: Stainless Steel

Feed Direction: Left to Right

Parts Per Carton: 52,500

Parts Per Reel: 2,500

Overall Length (in): 0.935

Overall Length (mm): 23.75

Thickness (in): 0.02

Thickness (mm): 0.51

Wire Size (mm): 7.00

Type of Handling Units: BAG - Bag

Type of Packages: BAG - Bag

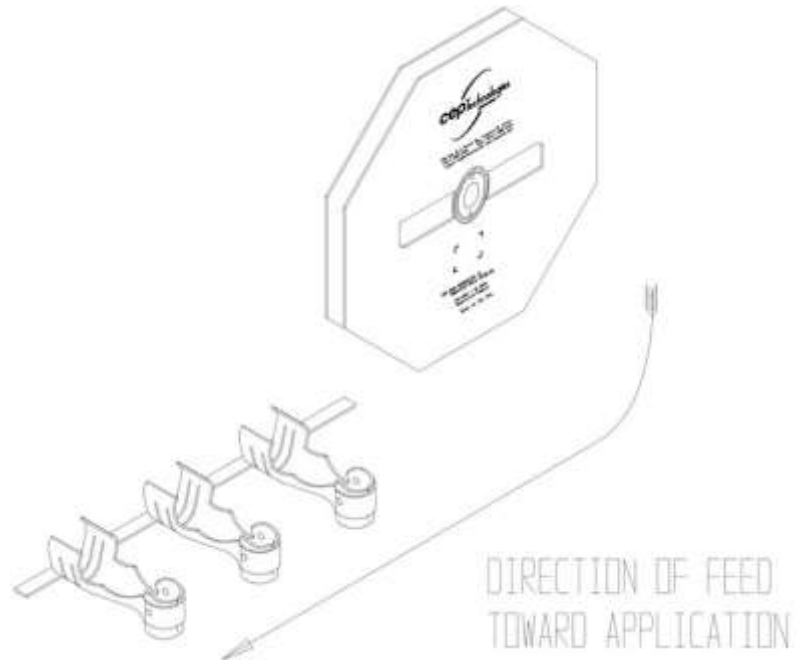
Minimum Order: 1

Package Type: Barrel

Units Per Package: 1

UPS Package Type: Customer Supplied Package

Freight Class: 50



90 Degree Spark Plug Terminal

Spark Plug Terminal

Item #
CEP2027SW

Material: Stainless Steel

Feed Direction: Left to Right

Parts Per Carton: 52,500

Parts Per Reel: 2,500

Overall Length (in): 0.935

Overall Length (mm): 23.75

Thickness (in): 0.02

Thickness (mm): 0.51

Wire Size (mm): 7.00

Type of Handling Units: BAG - Bag

Type of Packages: BAG - Bag

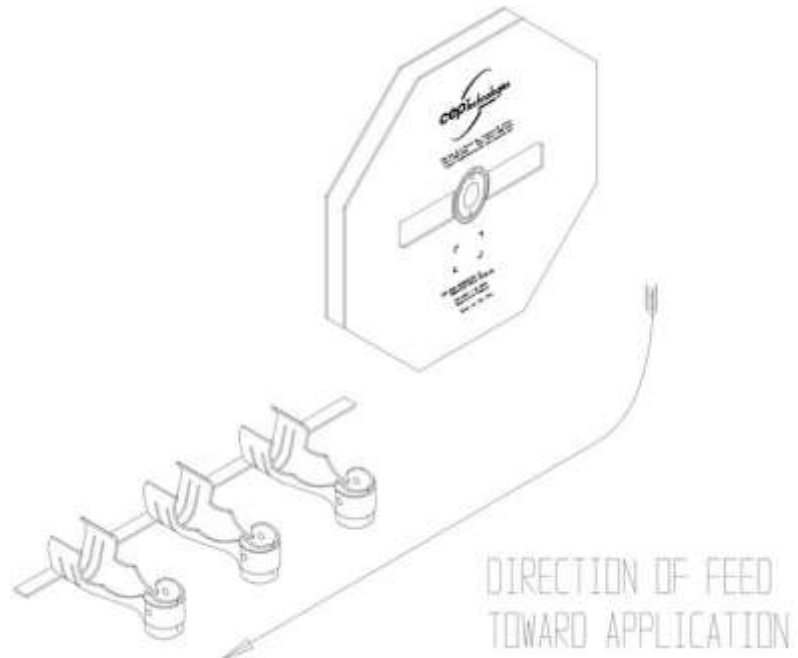
Minimum Order: 1

Package Type: Barrel

Units Per Package: 1

UPS Package Type: Customer Supplied Package

Freight Class: 50



90 Degree Spark Plug Terminal

Spark Plug Terminal

Item #
CEP2027SWP

Material: Stainless Steel

Feed Direction: Left to Right

Parts Per Carton: 52,500

Parts Per Reel: 2,500

Overall Length (in): 0.935

Overall Length (mm): 23.75

Thickness (in): 0.02

Thickness (mm): 0.51

Wire Size (mm): 7.00

Type of Handling Units: BAG - Bag

Type of Packages: BAG - Bag

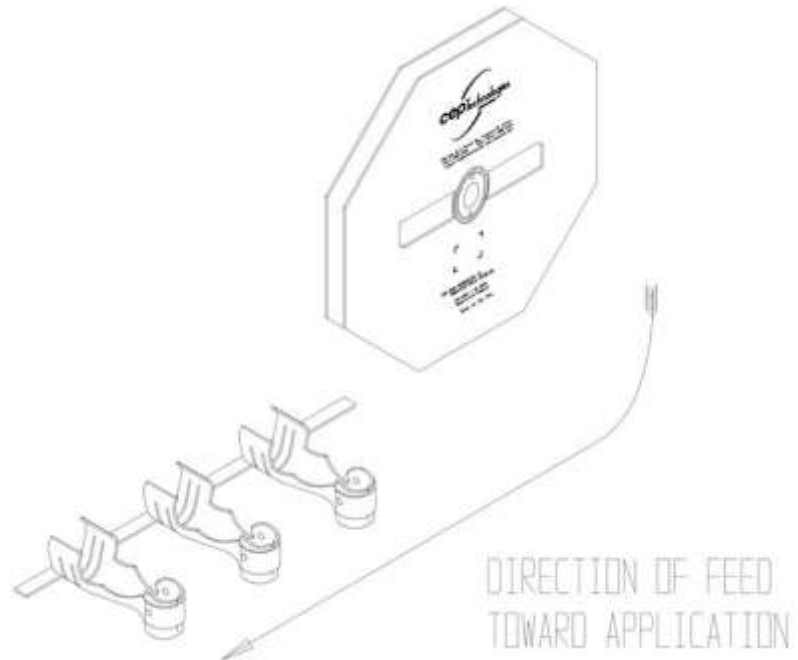
Minimum Order: 1

Package Type: Barrel

Units Per Package: 1

UPS Package Type: Customer Supplied Package

Freight Class: 50



90 Degree Spark Plug Terminal

Spark Plug Terminal

Item #
CEP2027Z

Material: Zinc Plated

Feed Direction: Left to Right

Parts Per Carton: 52,500

Parts Per Reel: 2,500

Overall Length (in): 0.935

Overall Length (mm): 23.75

Thickness (in): 0.02

Thickness (mm): 0.51

Wire Size (mm): 7.00

Type of Handling Units: BAG - Bag

Type of Packages: BAG - Bag

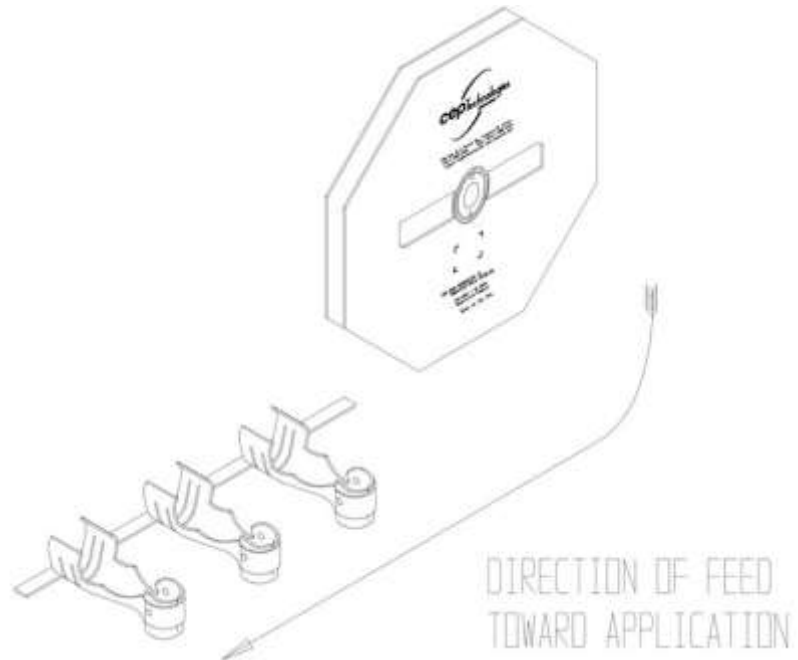
Minimum Order: 1

Package Type: Barrel

Units Per Package: 1

UPS Package Type: Customer Supplied Package

Freight Class: 50



90 Degree Spark Plug Terminal

Spark Plug Terminal

Item #
CEP2027ZW

Material: Zinc Plated

Feed Direction: Left to Right

Parts Per Carton: 52,500

Parts Per Reel: 2,500

Overall Length (in): 0.935

Overall Length (mm): 23.75

Thickness (in): 0.02

Thickness (mm): 0.51

Wire Size (mm): 7.00

Type of Handling Units: BAG - Bag

Type of Packages: BAG - Bag

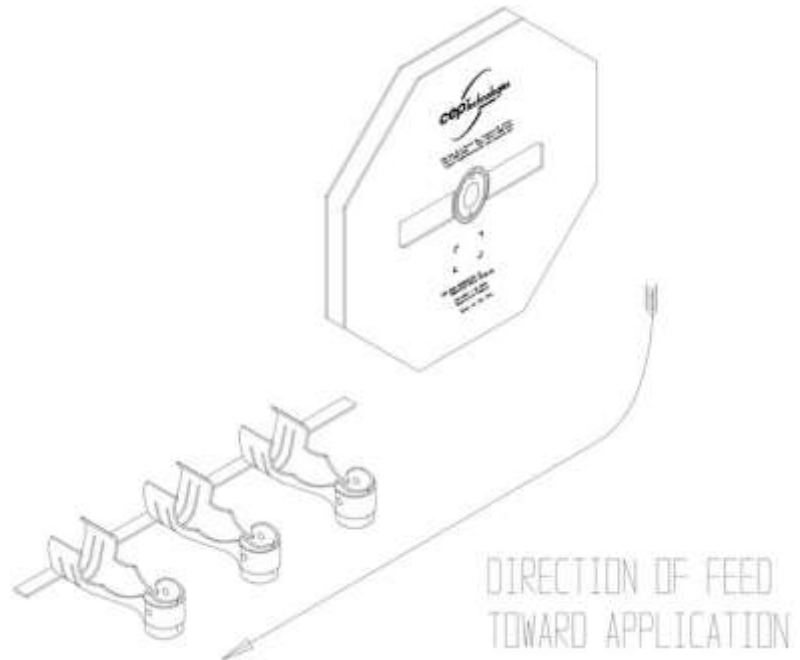
Minimum Order: 1

Package Type: Barrel

Units Per Package: 1

UPS Package Type: Customer Supplied Package

Freight Class: 50



Pre-Bent 180 Degree Spark Plug Terminal

Spark Plug Terminal

Item #
CEP2035S

Material: Stainless Steel

Feed Direction: Left to Right

Parts Per Carton: 52,500

Parts Per Reel: 2,500

Overall Length (in): 1.02

Overall Length (mm): 25.91

Thickness (in): 0.02

Thickness (mm): 0.51

Wire Size (mm):

Type of Handling Units: BAG - Bag

Type of Packages: BAG - Bag

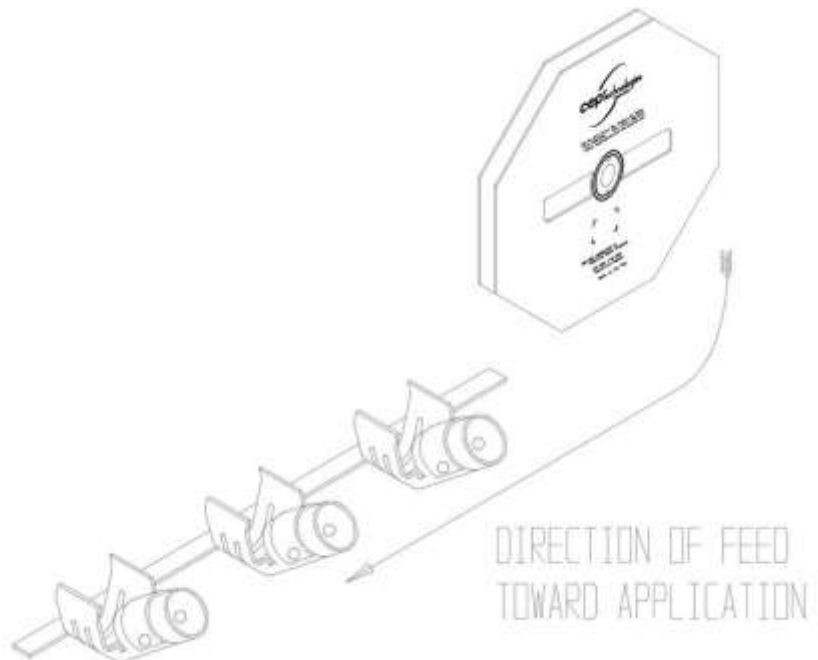
Minimum Order: 1

Package Type: Barrel

Units Per Package: 1

UPS Package Type: Customer Supplied Package

Freight Class: 50



Pre-Bent 180 Degree Spark Plug Terminal

Spark Plug Terminal

Item #
CEP2035Z

Material: Zinc Plated

Feed Direction: Left to Right

Parts Per Carton: 52,500

Parts Per Reel: 2,500

Overall Length (in): 1.02

Overall Length (mm): 25.91

Thickness (in): 0.02

Thickness (mm): 0.51

Wire Size (mm):

Type of Handling Units: BAG - Bag

Type of Packages: BAG - Bag

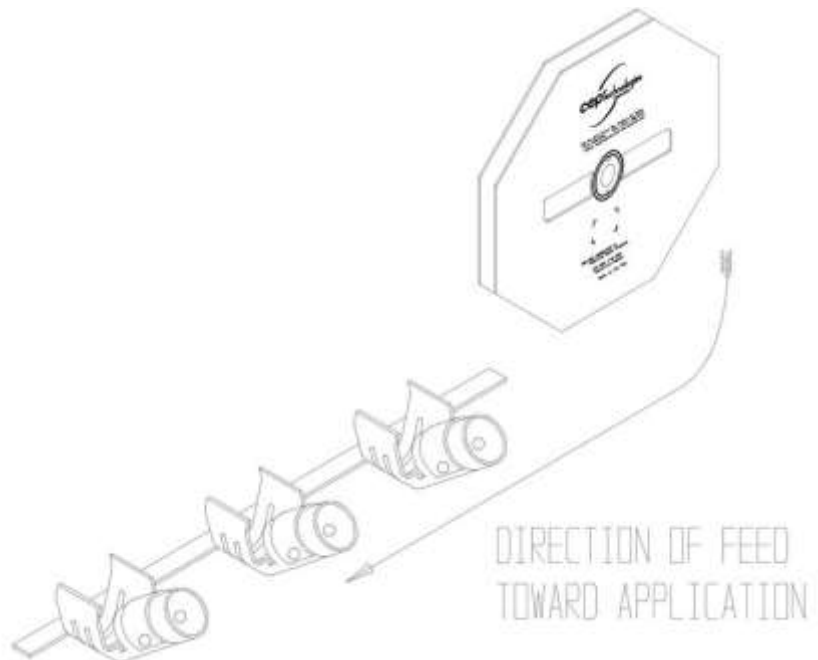
Minimum Order: 1

Package Type: Barrel

Units Per Package: 1

UPS Package Type: Customer Supplied Package

Freight Class: 50



180 Degree Distributor Terminal

Distributor Terminal

Item #
CEP2040

Material: Brass

Feed Direction: Left to Right

Parts Per Carton: 32,500

Parts Per Reel: 2,500

Overall Length (in): 1.98

Overall Length (mm): 50.29

Thickness (in): 0.02

Thickness (mm): 0.51

Wire Size (mm):

Type of Handling Units: BAG - Bag

Type of Packages: BAG - Bag

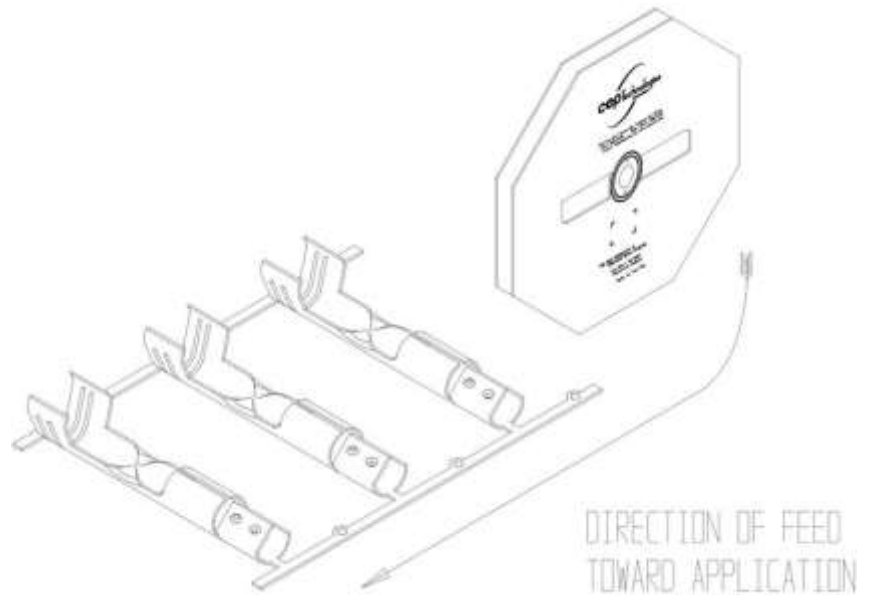
Minimum Order: 1

Package Type: Barrel

Units Per Package: 1

UPS Package Type: Customer Supplied Package

Freight Class: 50



180 Degree Spark Plug Terminal

Spark Plug Terminal

Item #
CEP2050S

Material: Stainless Steel

Feed Direction: Left to Right

Parts Per Carton: 52,500

Parts Per Reel: 2,500

Overall Length (in): 1.02

Overall Length (mm): 25.91

Thickness (in): 0.02

Thickness (mm): 0.51

Wire Size (mm):

Type of Handling Units: BAG - Bag

Type of Packages: BAG - Bag

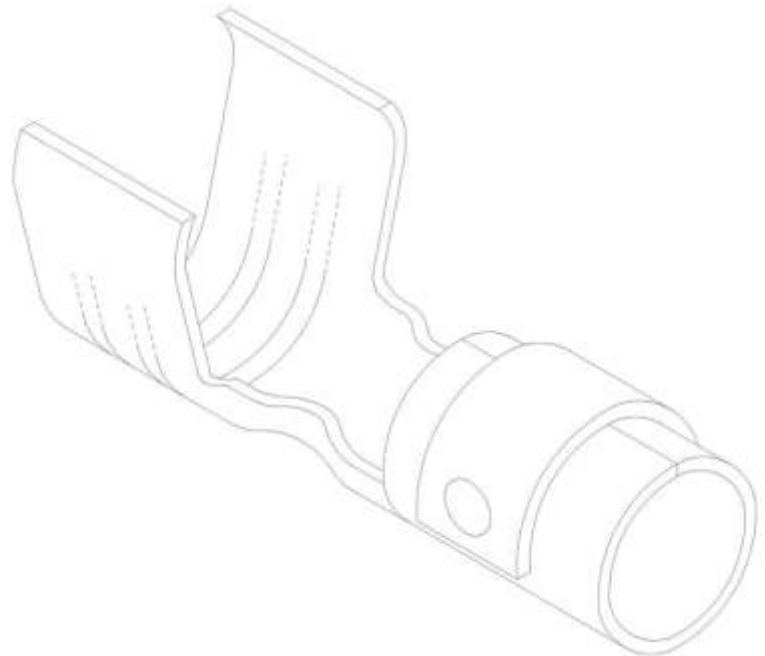
Minimum Order: 1

Package Type: Barrel

Units Per Package: 1

UPS Package Type: Customer Supplied Package

Freight Class: 50



180 Degree Spark Plug Terminal

Spark Plug Terminal

Item #
CEP2050SL

Material: Stainless Steel

Feed Direction: Loose Piece

Parts Per Carton: 7,000

Parts Per Reel:

Overall Length (in): 1.02

Overall Length (mm): 25.91

Thickness (in): 0.02

Thickness (mm): 0.51

Wire Size (mm):

Type of Handling Units: BAG - Bag

Type of Packages: BAG - Bag

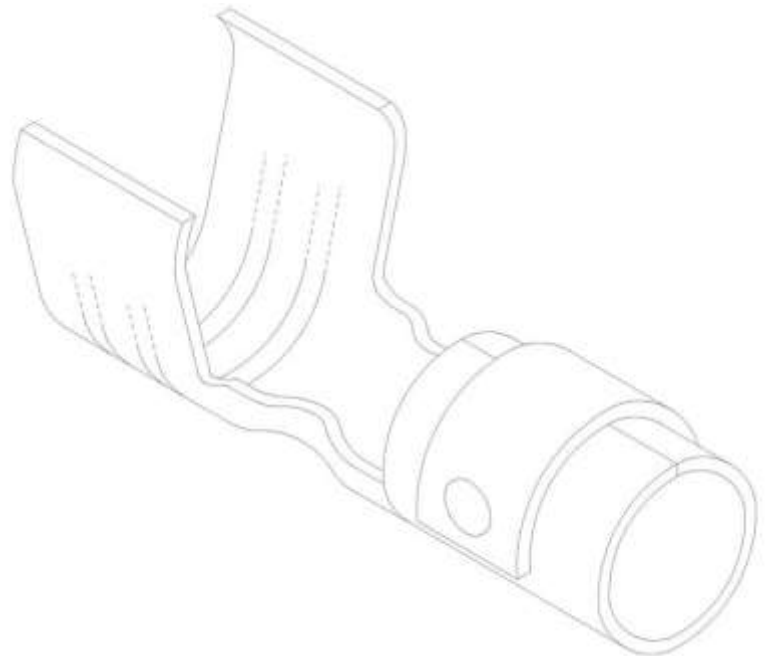
Minimum Order: 1

Package Type: Barrel

Units Per Package: 1

UPS Package Type: Customer Supplied Package

Freight Class: 50



180 Degree Spark Plug Terminal

Spark Plug Terminal

Item #
CEP2050Z

Material: Zinc Plated

Feed Direction: Left to Right

Parts Per Carton: 52,500

Parts Per Reel: 2,500

Overall Length (in): 1.02

Overall Length (mm): 25.91

Thickness (in): 0.02

Thickness (mm): 0.51

Wire Size (mm):

Type of Handling Units: BAG - Bag

Type of Packages: BAG - Bag

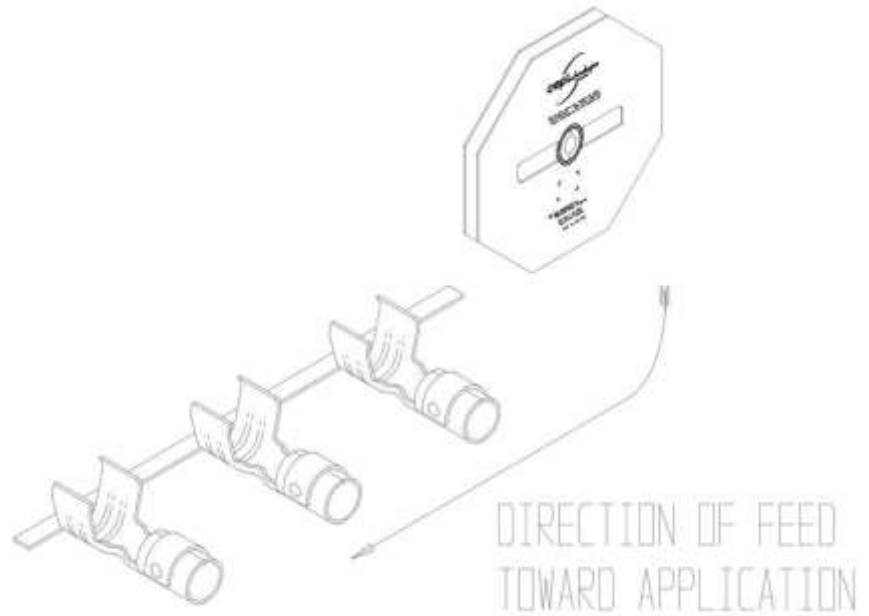
Minimum Order: 1

Package Type: Barrel

Units Per Package: 1

UPS Package Type: Customer Supplied Package

Freight Class: 50



180 Degree Spark Plug Terminal

Spark Plug Terminal

Item #
CEP2050ZL

Material: Zinc Plated

Feed Direction: Loose Piece

Parts Per Carton: 7,000

Parts Per Reel:

Overall Length (in): 1.02

Overall Length (mm): 25.91

Thickness (in): 0.02

Thickness (mm): 0.51

Wire Size (mm):

Type of Handling Units: BAG - Bag

Type of Packages: BAG - Bag

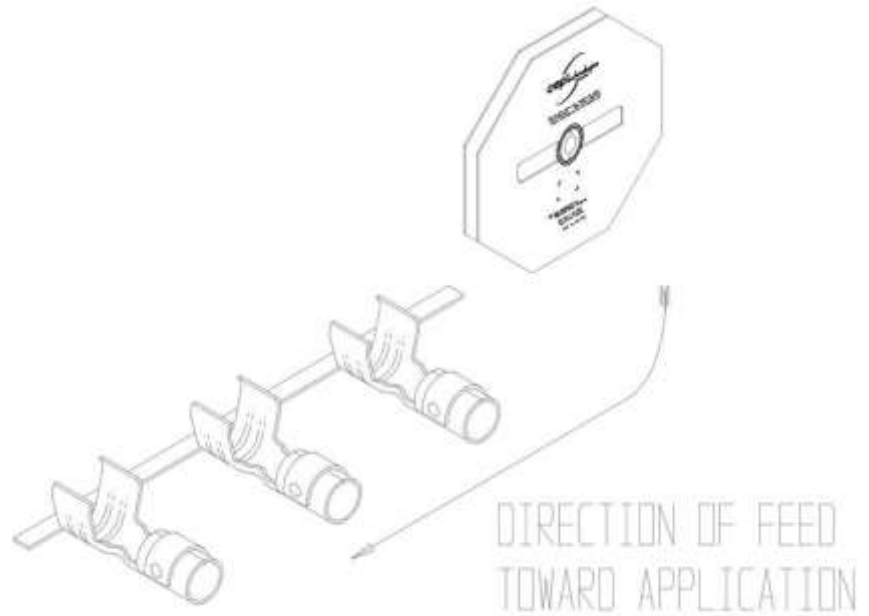
Minimum Order: 1

Package Type: Barrel

Units Per Package: 1

UPS Package Type: Customer Supplied Package

Freight Class: 50



180 Degree Spark Plug Terminal

Spark Plug Terminal

Item #
CEP2050ZR

Material: Zinc Plated

Feed Direction: Left to Right

Parts Per Carton: 52,500

Parts Per Reel: 2,500

Overall Length (in): 1.02

Overall Length (mm): 25.91

Thickness (in): 0.02

Thickness (mm): 0.51

Wire Size (mm):

Type of Handling Units: BAG - Bag

Type of Packages: BAG - Bag

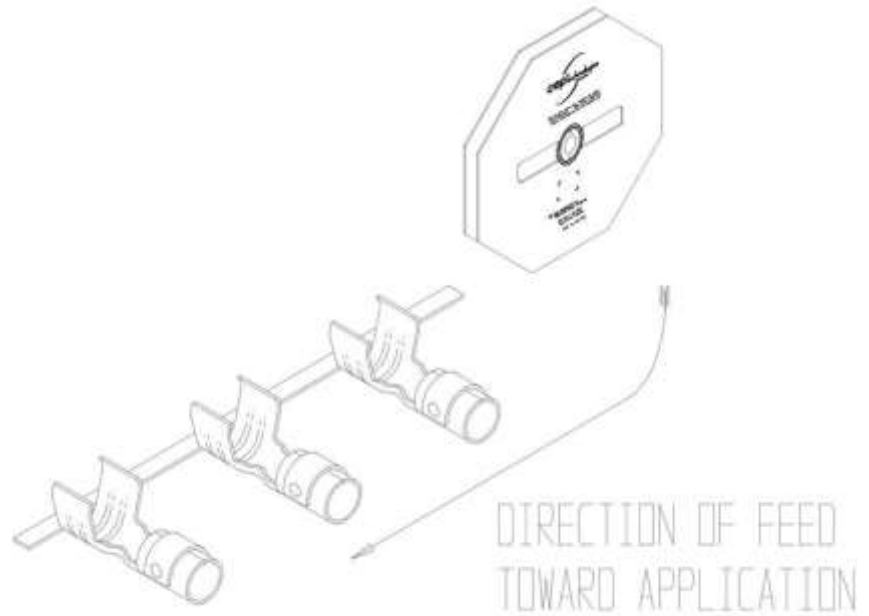
Minimum Order: 1

Package Type: Barrel

Units Per Package: 1

UPS Package Type: Customer Supplied Package

Freight Class: 50



180 Degree Spark Plug Terminal

Spark Plug Terminal

Item #
CEP2050ZR2

Material: Zinc Plated

Feed Direction: Left to Right

Parts Per Carton: 52,500

Parts Per Reel: 2,500

Overall Length (in): 1.02

Overall Length (mm): 25.91

Thickness (in): 0.02

Thickness (mm): 0.51

Wire Size (mm):

Type of Handling Units: BAG - Bag

Type of Packages: BAG - Bag

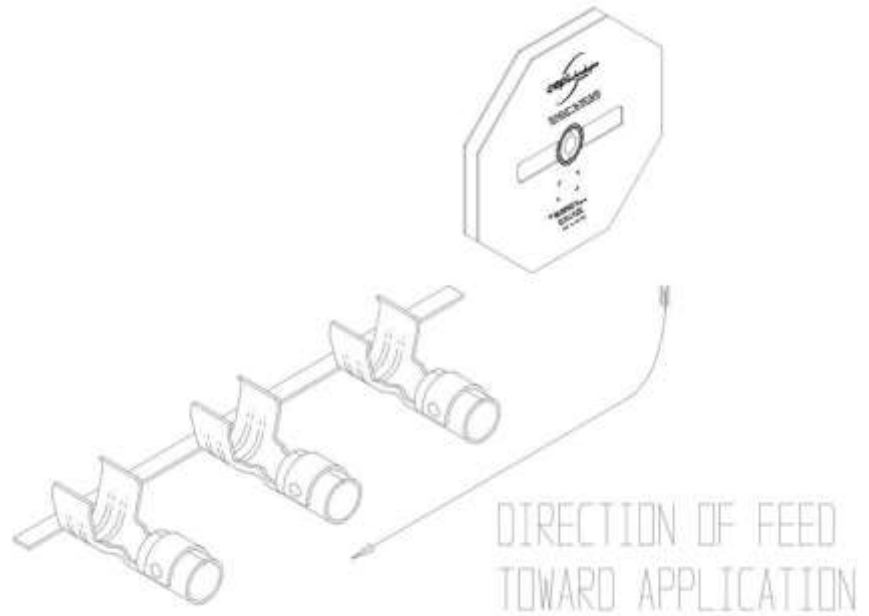
Minimum Order: 1

Package Type: Barrel

Units Per Package: 1

UPS Package Type: Customer Supplied Package

Freight Class: 50



180 Degree Spark Plug Terminal

Spark Plug Terminal

Item #
CEP2050ZW

Material: Zinc Plated

Feed Direction: Left to Right

Parts Per Carton: 52,500

Parts Per Reel: 2,500

Overall Length (in): 1.02

Overall Length (mm): 25.91

Thickness (in): 0.02

Thickness (mm): 0.51

Wire Size (mm): 8.00

Type of Handling Units: BAG - Bag

Type of Packages: BAG - Bag

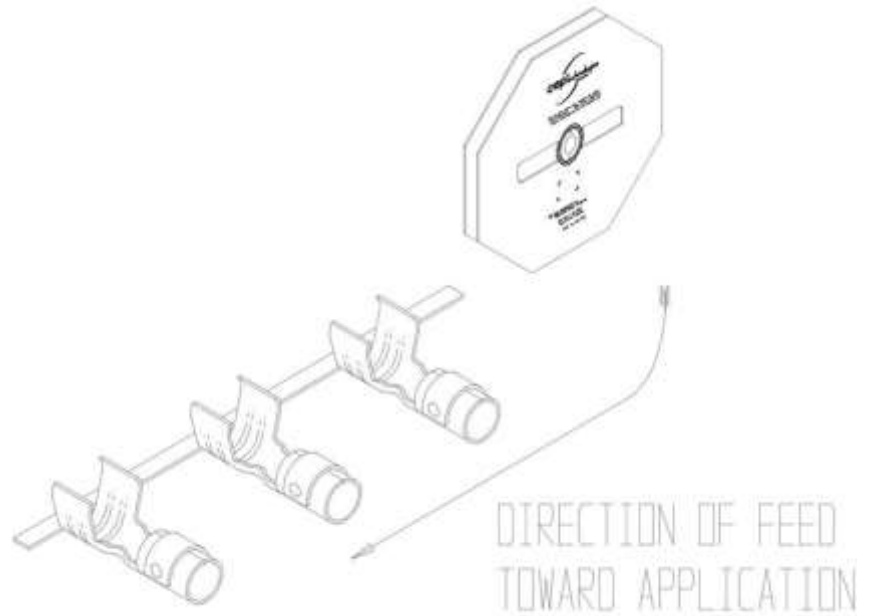
Minimum Order: 1

Package Type: Barrel

Units Per Package: 1

UPS Package Type: Customer Supplied Package

Freight Class: 50



180 Degree Spark Plug Terminal

Spark Plug Terminal

Item #
CEP2051Z

Material: Zinc Plated

Feed Direction: Left to Right

Parts Per Carton: 52,500

Parts Per Reel: 2,500

Overall Length (in): 1.02

Overall Length (mm): 25.91

Thickness (in): 0.02

Thickness (mm): 0.51

Wire Size (mm):

Type of Handling Units: BAG - Bag

Type of Packages: BAG - Bag

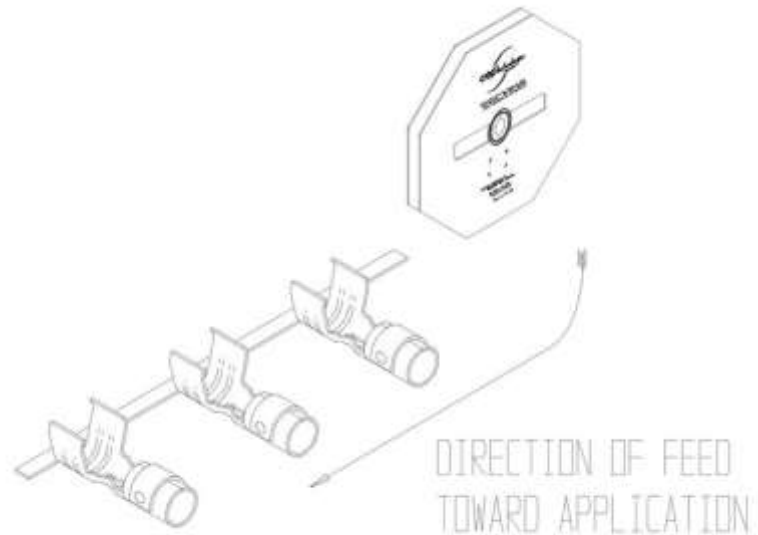
Minimum Order: 1

Package Type: Barrel

Units Per Package: 1

UPS Package Type: Customer Supplied Package

Freight Class: 50



180 Degree Spark Plug Terminal

Spark Plug Terminal

Item #
CEP2057S

Material: Stainless Steel

Feed Direction: Left to Right

Parts Per Carton: 52,500

Parts Per Reel: 2,500

Overall Length (in): 1.02

Overall Length (mm): 25.91

Thickness (in): 0.02

Thickness (mm): 0.51

Wire Size (mm): 7.00

Type of Handling Units: BAG - Bag

Type of Packages: BAG - Bag

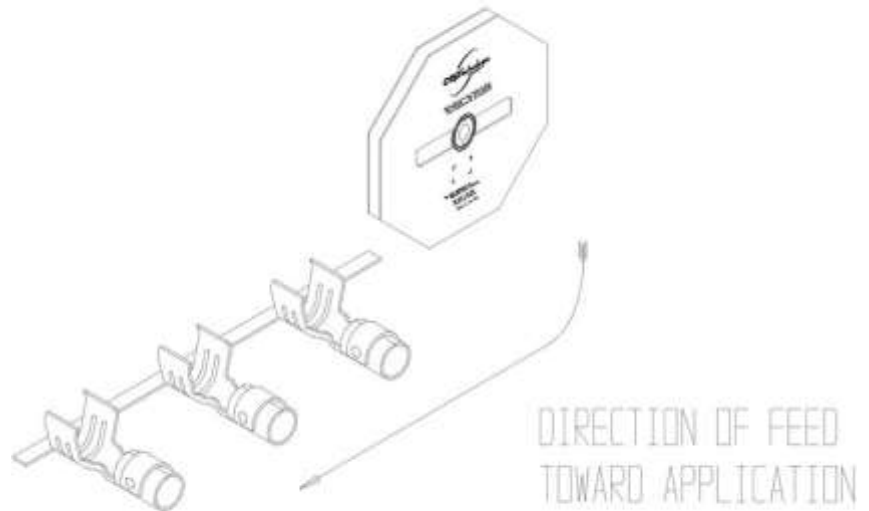
Minimum Order: 1

Package Type: Barrel

Units Per Package: 1

UPS Package Type: Customer Supplied Package

Freight Class: 50



180 Degree Spark Plug Terminal

Spark Plug Terminal

Item #
CEP2057Z

Material: Zinc Plated

Feed Direction: Left to Right

Parts Per Carton: 52,500

Parts Per Reel: 2,500

Overall Length (in): 1.02

Overall Length (mm): 25.91

Thickness (in): 0.02

Thickness (mm): 0.51

Wire Size (mm): 7.00

Type of Handling Units: BAG - Bag

Type of Packages: BAG - Bag

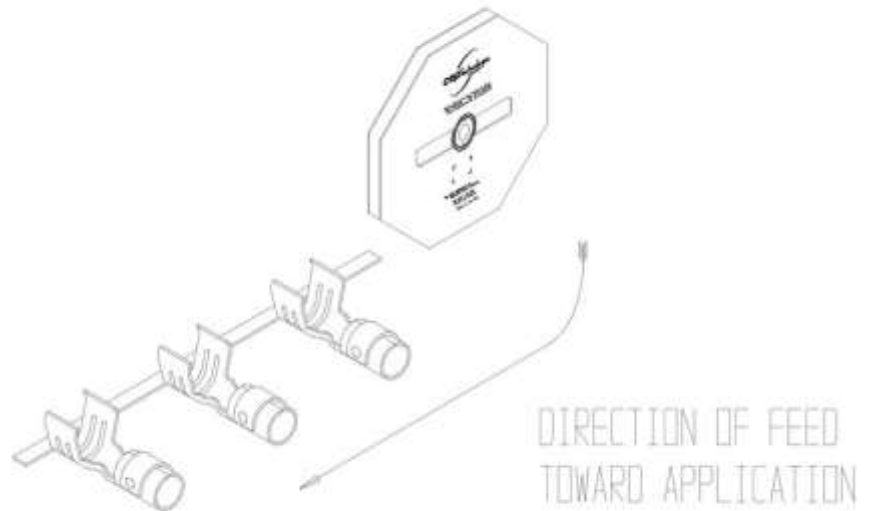
Minimum Order: 1

Package Type: Barrel

Units Per Package: 1

UPS Package Type: Customer Supplied Package

Freight Class: 50



180 Degree Spark Plug Terminal

Spark Plug Terminal

Item #
CEP2057ZW

Material: Zinc Plated

Feed Direction: Left to Right

Parts Per Carton: 52,500

Parts Per Reel: 2,500

Overall Length (in): 1.02

Overall Length (mm): 25.91

Thickness (in): 0.02

Thickness (mm): 0.51

Wire Size (mm): 7.00

Type of Handling Units: BAG - Bag

Type of Packages: BAG - Bag

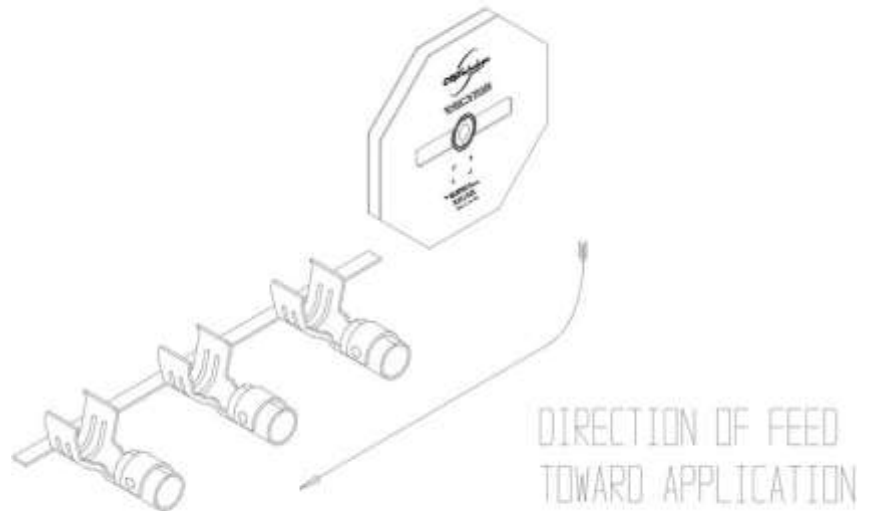
Minimum Order: 1

Package Type: Barrel

Units Per Package: 1

UPS Package Type: Customer Supplied Package

Freight Class: 50



180 Degree Distributor Terminal

Distributor Terminal

Item #
CEP2070

Material: Brass

Feed Direction: Rear

Parts Per Carton: 150,000

Parts Per Reel: 7,500

Overall Length (in): 0.66

Overall Length (mm): 16.76

Thickness (in): 0.018

Thickness (mm): 0.46

Wire Size (mm): 7.00

Type of Handling Units: BAG - Bag

Type of Packages: BAG - Bag

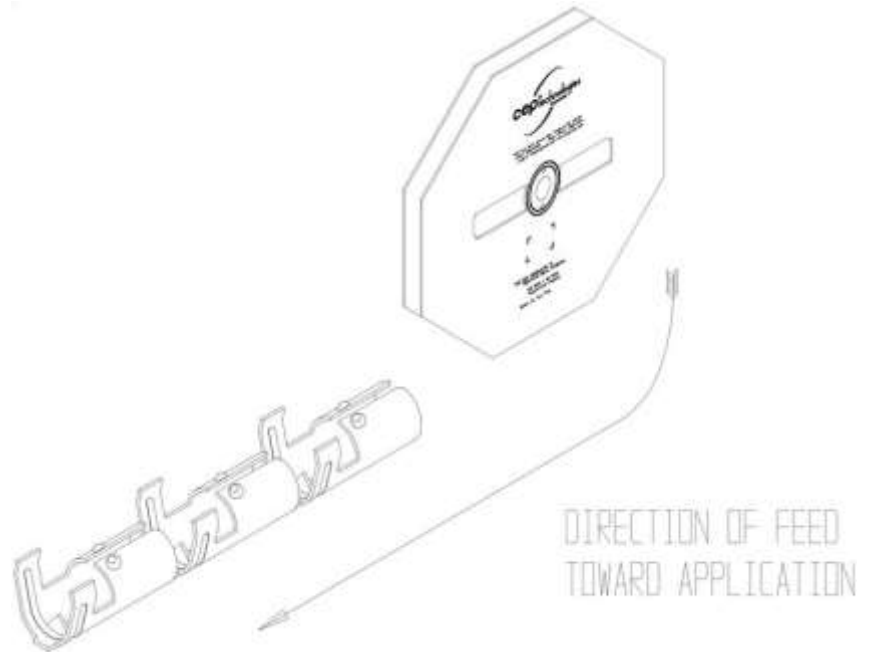
Minimum Order: 1

Package Type: Barrel

Units Per Package: 1

UPS Package Type: Customer Supplied Package

Freight Class: 50



180 Degree Distributor Terminal

Distributor Terminal

Item #
CEP2080

Material: Brass

Feed Direction: Rear

Parts Per Carton: 160,000

Parts Per Reel: 8,000

Overall Length (in): 0.66

Overall Length (mm): 16.76

Thickness (in): 0.018

Thickness (mm): 0.46

Wire Size (mm): 7.00

Type of Handling Units: BAG - Bag

Type of Packages: BAG - Bag

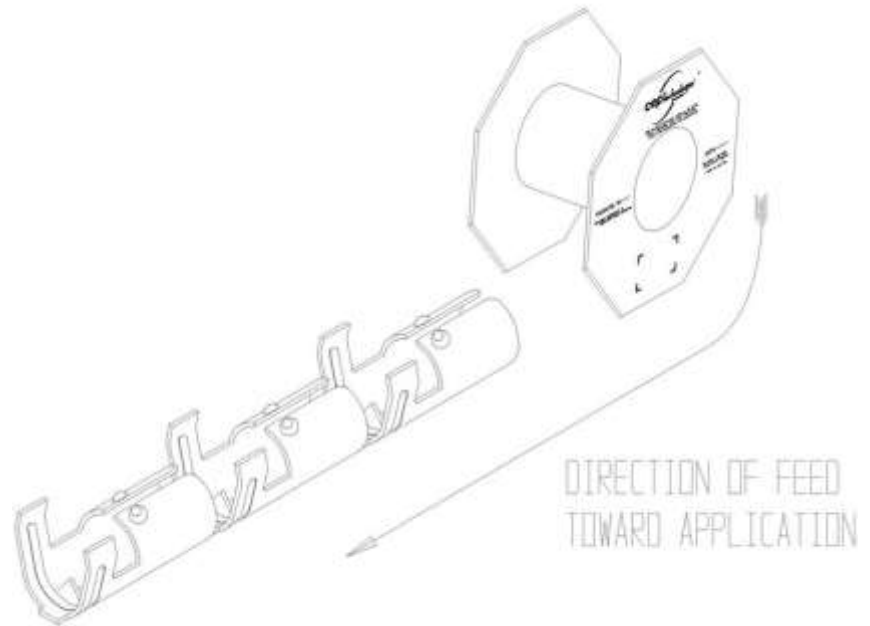
Minimum Order: 1

Package Type: Barrel

Units Per Package: 1

UPS Package Type: Customer Supplied Package

Freight Class: 50



180 Degree Spark Plug Terminal

Spark Plug Terminal

Item #
CEP2090S

Material: Stainless Steel

Feed Direction: Left to Right

Parts Per Carton: 45,000

Parts Per Reel: 2,500

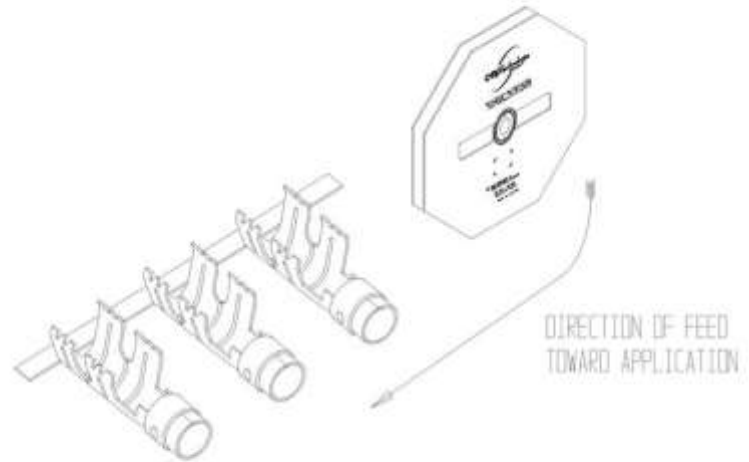
Overall Length (in): 1.24

Overall Length (mm): 31.45

Thickness (in): 0.018

Thickness (mm): 0.46

Wire Size (mm): 7.00



Type of Handling Units: BAG - Bag

Type of Packages: BAG - Bag

Minimum Order: 1

Package Type: Barrel

Units Per Package: 1

UPS Package Type: Customer Supplied Package

Freight Class: 50

180 Degree Spark Plug Terminal

Spark Plug Terminal

Item #
CEP2098S

Material: Stainless Steel

Feed Direction: Left to Right

Parts Per Carton: 51,000

Parts Per Reel: 3,000

Overall Length (in): 1.35

Overall Length (mm): 33.75

Thickness (in): 0.018

Thickness (mm): 0.46

Wire Size (mm):

Type of Handling Units: BAG - Bag

Type of Packages: BAG - Bag

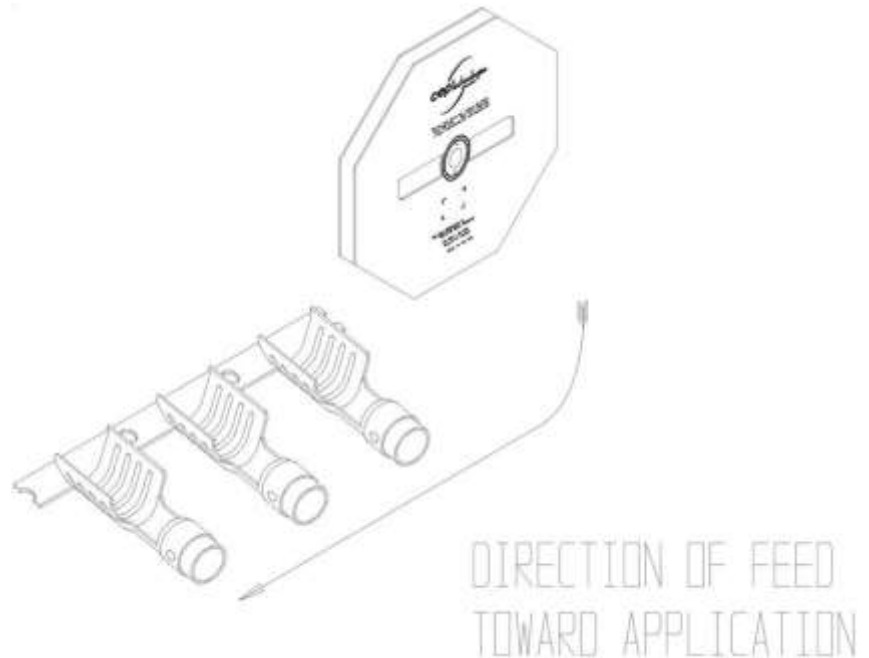
Minimum Order: 1

Package Type: Barrel

Units Per Package: 1

UPS Package Type: Customer Supplied Package

Freight Class: 50



Bendable 180 Degree Spark Plug Terminal

Spark Plug Terminal

Item #
CEP2119S

Material: Stainless Steel

Feed Direction: Left to Right

Parts Per Carton: 37,500

Parts Per Reel: 2,500

Overall Length (in): 1.57

Overall Length (mm): 39.88

Thickness (in): 0.02

Thickness (mm): 0.51

Wire Size (mm):

Type of Handling Units: BAG - Bag

Type of Packages: BAG - Bag

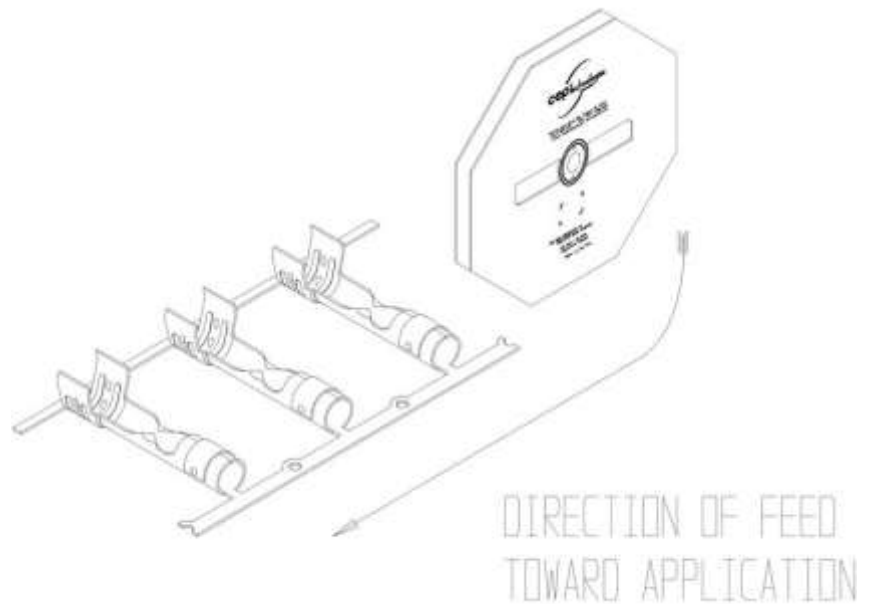
Minimum Order: 1

Package Type: Barrel

Units Per Package: 1

UPS Package Type: Customer Supplied Package

Freight Class: 50



Bendable 180 Degree Spark Plug Terminal

Spark Plug Terminal

Item #
CEP2119SBS

Material: Stainless Steel

Feed Direction: Left to Right

Parts Per Carton: 37,500

Parts Per Reel: 2,500

Overall Length (in): 1.57

Overall Length (mm): 39.88

Thickness (in): 0.02

Thickness (mm): 0.51

Wire Size (mm):

Type of Handling Units: BAG - Bag

Type of Packages: BAG - Bag

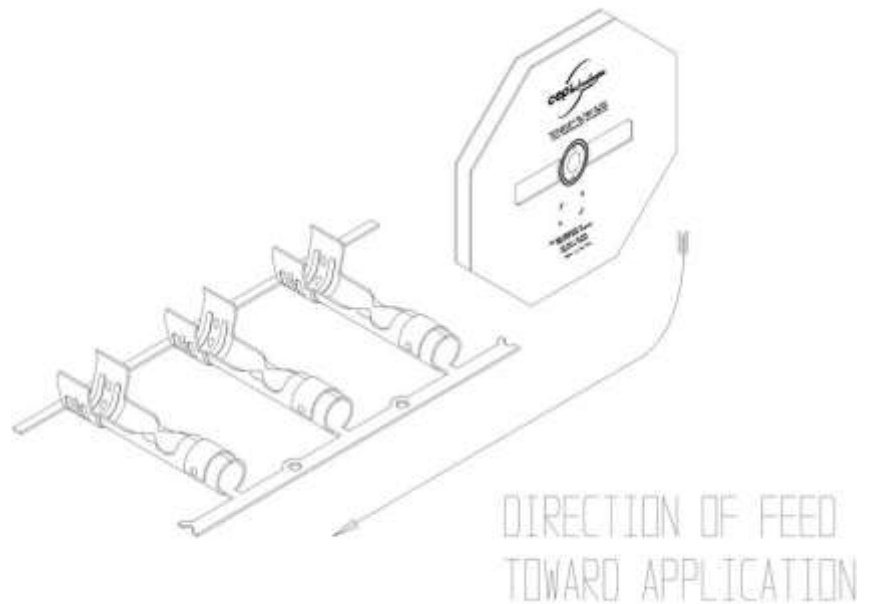
Minimum Order: 1

Package Type: Barrel

Units Per Package: 1

UPS Package Type: Customer Supplied Package

Freight Class: 50



Bendable 180 Degree Spark Plug Terminal

Spark Plug Terminal

Item #
CEP2119SBZ

Material: Zinc Plated

Feed Direction: Left to Right

Parts Per Carton: 37,500

Parts Per Reel: 2,500

Overall Length (in): 1.57

Overall Length (mm): 39.88

Thickness (in): 0.02

Thickness (mm): 0.51

Wire Size (mm):

Type of Handling Units: BAG - Bag

Type of Packages: BAG - Bag

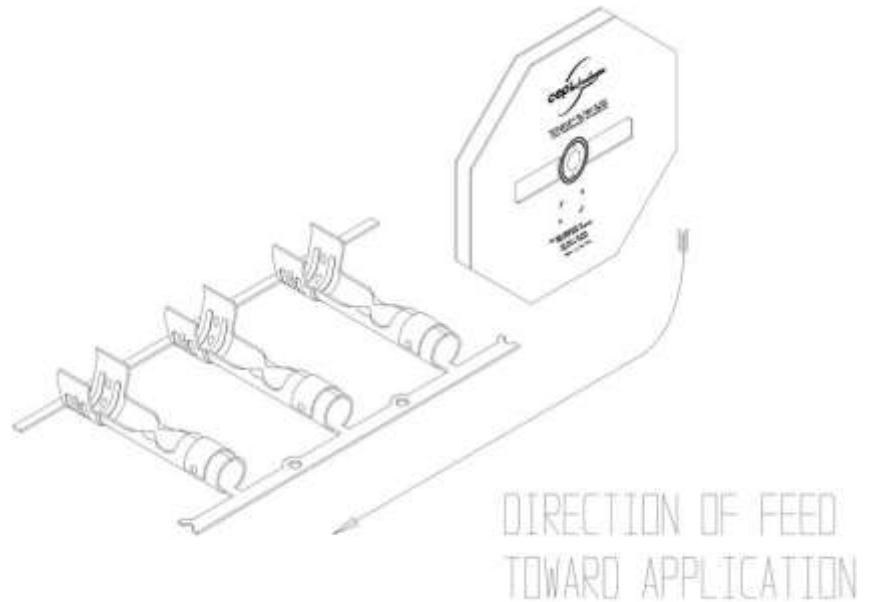
Minimum Order: 1

Package Type: Barrel

Units Per Package: 1

UPS Package Type: Customer Supplied Package

Freight Class: 50



Bendable 180 Degree Spark Plug Terminal

Spark Plug Terminal

Item #
CEP2119Z

Material: Zinc Plated

Feed Direction: Left to Right

Parts Per Carton: 37,500

Parts Per Reel: 2,500

Overall Length (in): 1.57

Overall Length (mm): 39.88

Thickness (in): 0.02

Thickness (mm): 0.51

Wire Size (mm):

Type of Handling Units: BAG - Bag

Type of Packages: BAG - Bag

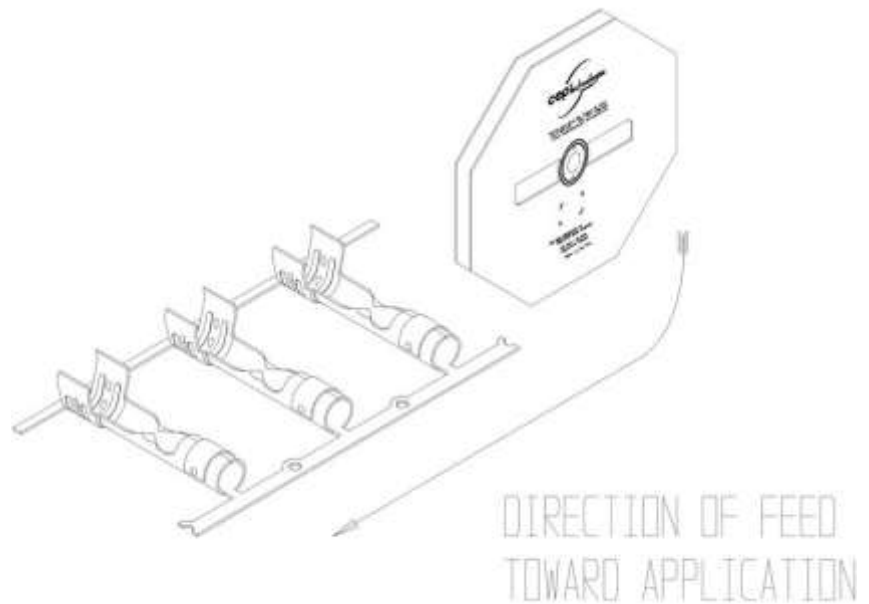
Minimum Order: 1

Package Type: Barrel

Units Per Package: 1

UPS Package Type: Customer Supplied Package

Freight Class: 50



Bendable 180 Degree Spark Plug Terminal

Spark Plug Terminal

Item #
CEP2120S

Material: Stainless Steel

Feed Direction: Left to Right

Parts Per Carton: 32,500

Parts Per Reel: 2,500

Overall Length (in): 2.06

Overall Length (mm): 52.32

Thickness (in): 0.02

Thickness (mm): 0.51

Wire Size (mm):

Type of Handling Units: BAG - Bag

Type of Packages: BAG - Bag

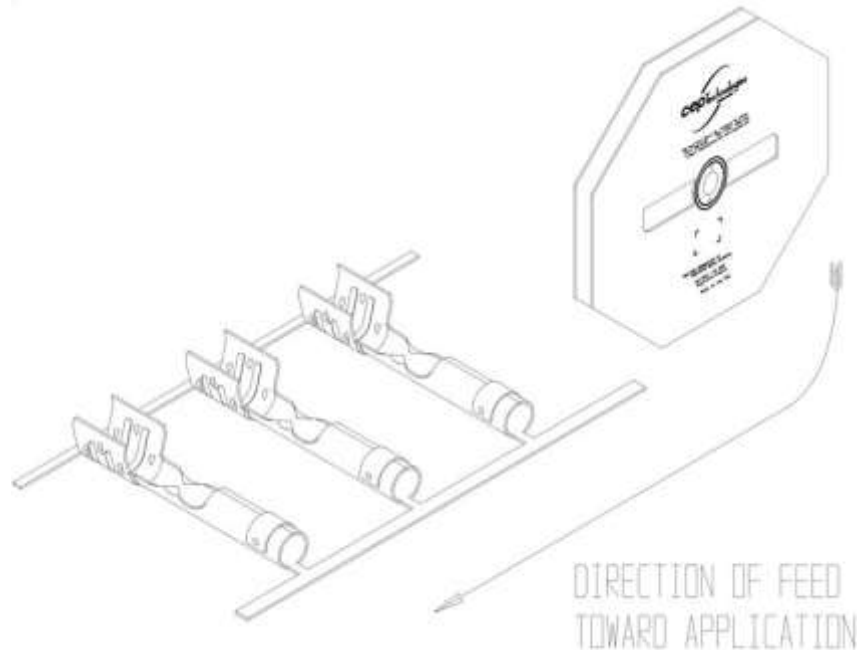
Minimum Order: 1

Package Type: Barrel

Units Per Package: 1

UPS Package Type: Customer Supplied Package

Freight Class: 50



Bendable 180 Degree Spark Plug Terminal

Spark Plug Terminal

Item #
CEP2120Z

Material: Zinc Plated

Feed Direction: Left to Right

Parts Per Carton: 32,500

Parts Per Reel: 2,500

Overall Length (in): 2.06

Overall Length (mm): 52.32

Thickness (in): 0.02

Thickness (mm): 0.51

Wire Size (mm):

Type of Handling Units: BAG - Bag

Type of Packages: BAG - Bag

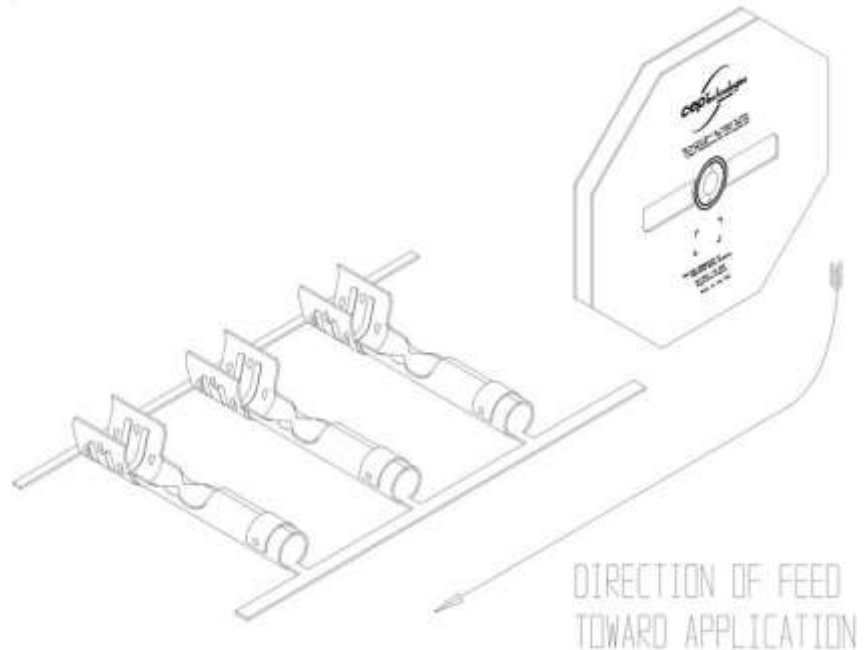
Minimum Order: 1

Package Type: Barrel

Units Per Package: 1

UPS Package Type: Customer Supplied Package

Freight Class: 50



Bendable 180 Degree Spark Plug Terminal

Spark Plug Terminal

Item #
CEP2140S

Material: Stainless Steel

Feed Direction: Left to Right

Parts Per Carton: 32,500

Parts Per Reel: 2,500

Overall Length (in): 2.06

Overall Length (mm): 52.32

Thickness (in): 0.02

Thickness (mm): 0.51

Wire Size (mm):

Type of Handling Units: BAG - Bag

Type of Packages: BAG - Bag

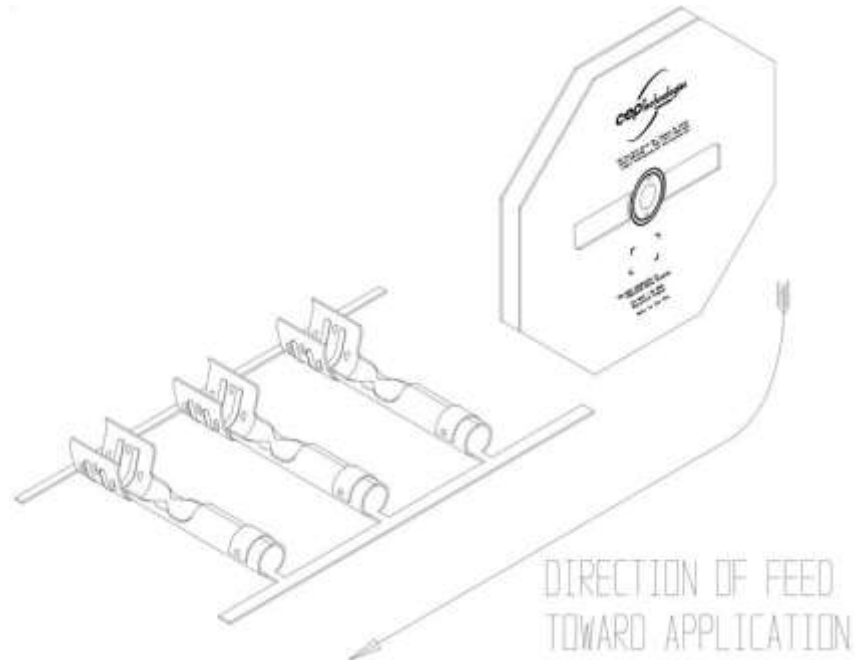
Minimum Order: 1

Package Type: Barrel

Units Per Package: 1

UPS Package Type: Customer Supplied Package

Freight Class: 50



Bendable 180 Degree Spark Plug Terminal

Spark Plug Terminal

Item #
CEP2140Z

Material: Zinc Plated

Feed Direction: Left to Right

Parts Per Carton: 32,500

Parts Per Reel: 2,500

Overall Length (in): 2.06

Overall Length (mm): 52.32

Thickness (in): 0.02

Thickness (mm): 0.51

Wire Size (mm):

Type of Handling Units: BAG - Bag

Type of Packages: BAG - Bag

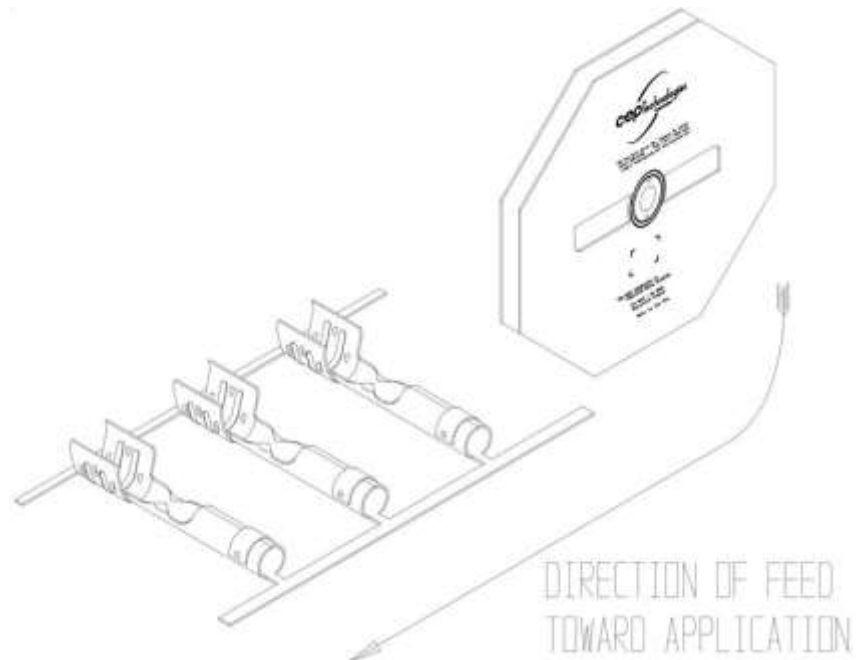
Minimum Order: 1

Package Type: Barrel

Units Per Package: 1

UPS Package Type: Customer Supplied Package

Freight Class: 50



180 Degree Spark Plug Terminal

Spark Plug Terminal

Item #
CEP2150Z

Material: Zinc Plated

Feed Direction: Left to Right

Parts Per Carton: 52,500

Parts Per Reel: 2,500

Overall Length (in): 1.41

Overall Length (mm): 35.81

Thickness (in): 0.02

Thickness (mm): 0.51

Wire Size (mm):

Type of Handling Units: BAG - Bag

Type of Packages: BAG - Bag

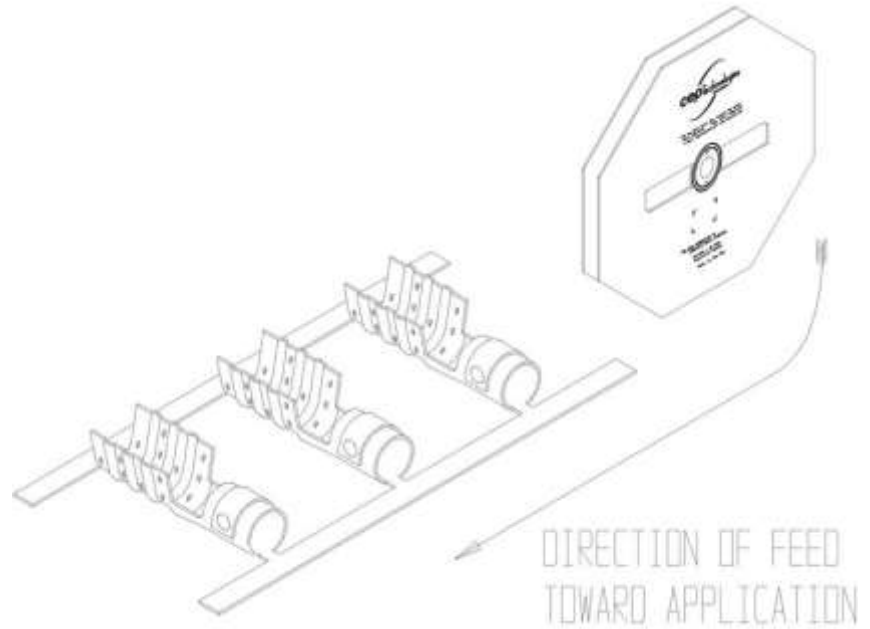
Minimum Order: 1

Package Type: Barrel

Units Per Package: 1

UPS Package Type: Customer Supplied Package

Freight Class: 50



90 Degree Spark Plug Terminal

Spark Plug Terminal

Item #
CEP2225Z

Material: Zinc Plated

Feed Direction: Left to Right

Parts Per Carton: 52,500

Parts Per Reel: 2,500

Overall Length (in): 0.93

Overall Length (mm): 23.62

Thickness (in): 0.02

Thickness (mm): 0.51

Wire Size (mm):

Type of Handling Units: BAG - Bag

Type of Packages: BAG - Bag

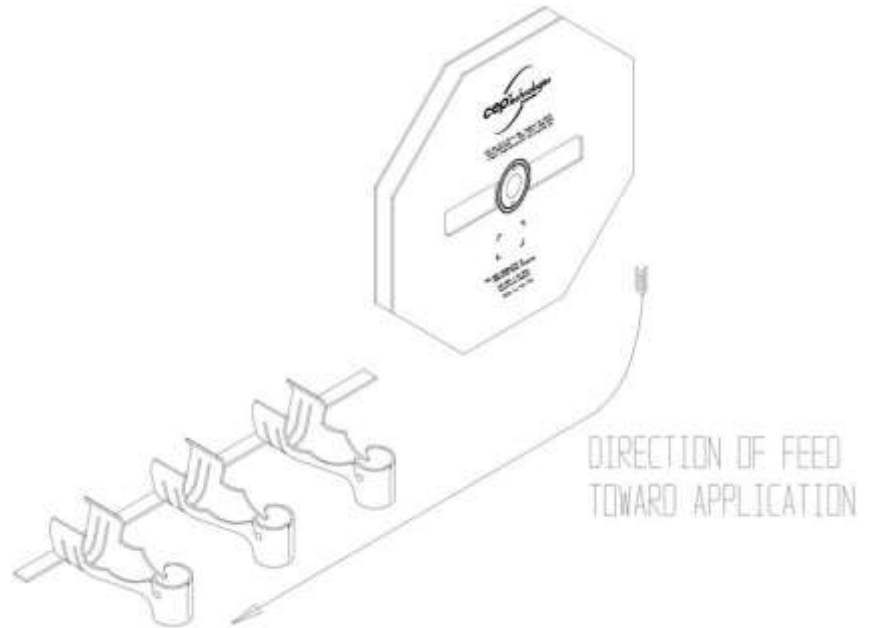
Minimum Order: 1

Package Type: Barrel

Units Per Package: 1

UPS Package Type: Customer Supplied Package

Freight Class: 50



90 Degree Spark Plug Terminal

Spark Plug Terminal

Item #
CEP2225ZL

Material: Zinc Plated

Feed Direction: Loose Piece

Parts Per Carton: 7,000

Parts Per Reel:

Overall Length (in): 0.93

Overall Length (mm): 23.62

Thickness (in): 0.02

Thickness (mm): 0.51

Wire Size (mm):

Type of Handling Units: BAG - Bag

Type of Packages: BAG - Bag

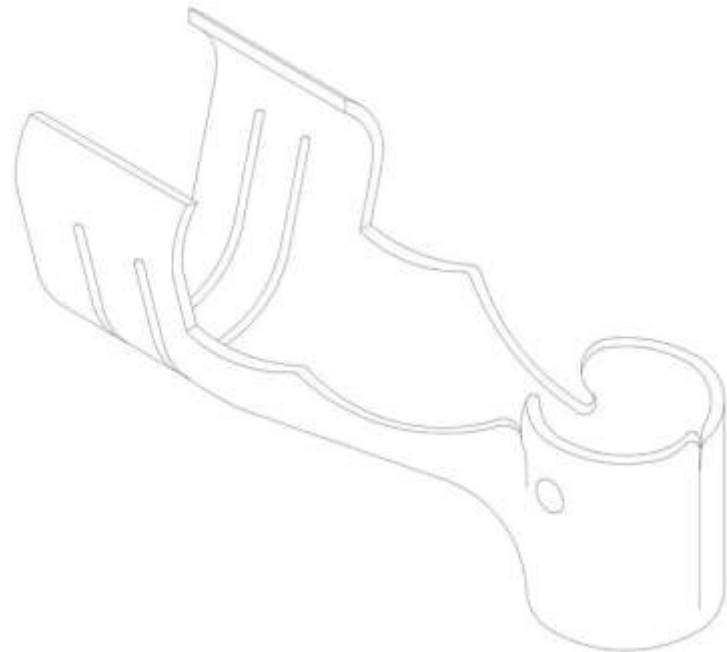
Minimum Order: 1

Package Type: Barrel

Units Per Package: 1

UPS Package Type: Customer Supplied Package

Freight Class: 50



Pre-Bent 180 Degree Spark Plug Terminal

Spark Plug Terminal

Item #
CEP2235Z

Material: Zinc Plated

Feed Direction: Left to Right

Parts Per Carton: 52,500

Parts Per Reel: 2,500

Overall Length (in): 1.02

Overall Length (mm): 25.91

Thickness (in): 0.02

Thickness (mm): 0.51

Wire Size (mm):

Type of Handling Units: BAG - Bag

Type of Packages: BAG - Bag

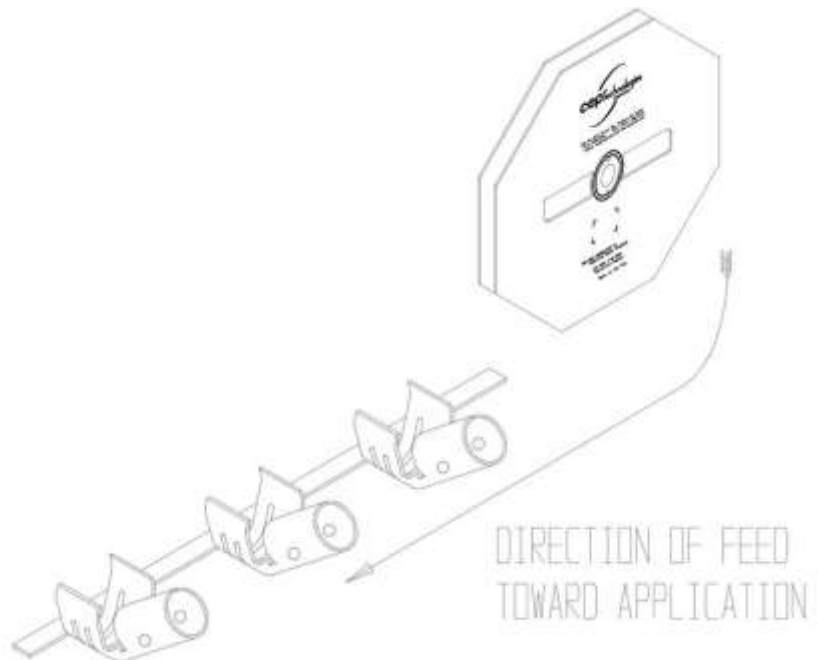
Minimum Order: 1

Package Type: Barrel

Units Per Package: 1

UPS Package Type: Customer Supplied Package

Freight Class: 50



180 Degree Spark Plug Terminal

Spark Plug Terminal

Item #
CEP2250Z

Material: Zinc Plated

Feed Direction: Left to Right

Parts Per Carton: 52,500

Parts Per Reel: 2,500

Overall Length (in): 1.02

Overall Length (mm): 25.91

Thickness (in): 0.02

Thickness (mm): 0.51

Wire Size (mm):

Type of Handling Units: BAG - Bag

Type of Packages: BAG - Bag

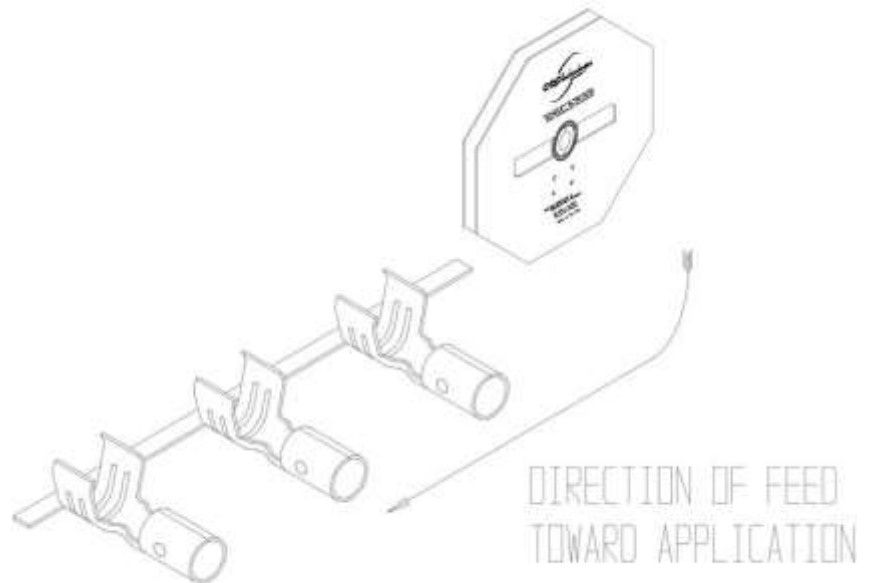
Minimum Order: 1

Package Type: Barrel

Units Per Package: 1

UPS Package Type: Customer Supplied Package

Freight Class: 50



180 Degree Spark Plug Terminal

Spark Plug Terminal

Item #
CEP2250ZL

Material: Zinc Plated

Feed Direction: Loose Piece

Parts Per Carton: 7,000

Parts Per Reel:

Overall Length (in): 1.02

Overall Length (mm): 25.91

Thickness (in): 0.02

Thickness (mm): 0.51

Wire Size (mm):

Type of Handling Units: BAG - Bag

Type of Packages: BAG - Bag

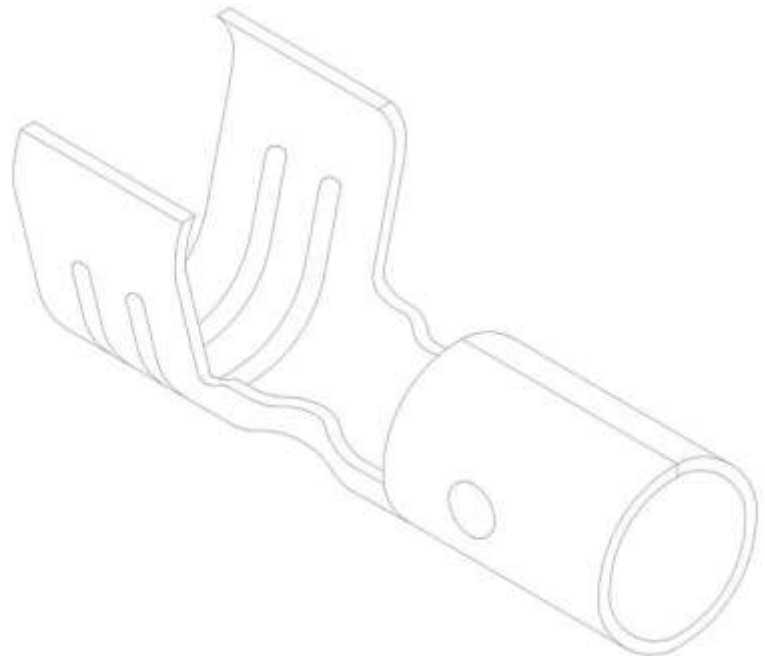
Minimum Order: 1

Package Type: Barrel

Units Per Package: 1

UPS Package Type: Customer Supplied Package

Freight Class: 50



180 Degree Distributor Terminal

Distributor Terminal

Item #
CEP2307

Material: Brass

Feed Direction: Left to Right

Parts Per Carton: 32,500

Parts Per Reel: 2,500

Overall Length (in): 1.41

Overall Length (mm): 35.81

Thickness (in): 0.018

Thickness (mm): 0.46

Wire Size (mm): 7.00

Type of Handling Units: BAG - Bag

Type of Packages: BAG - Bag

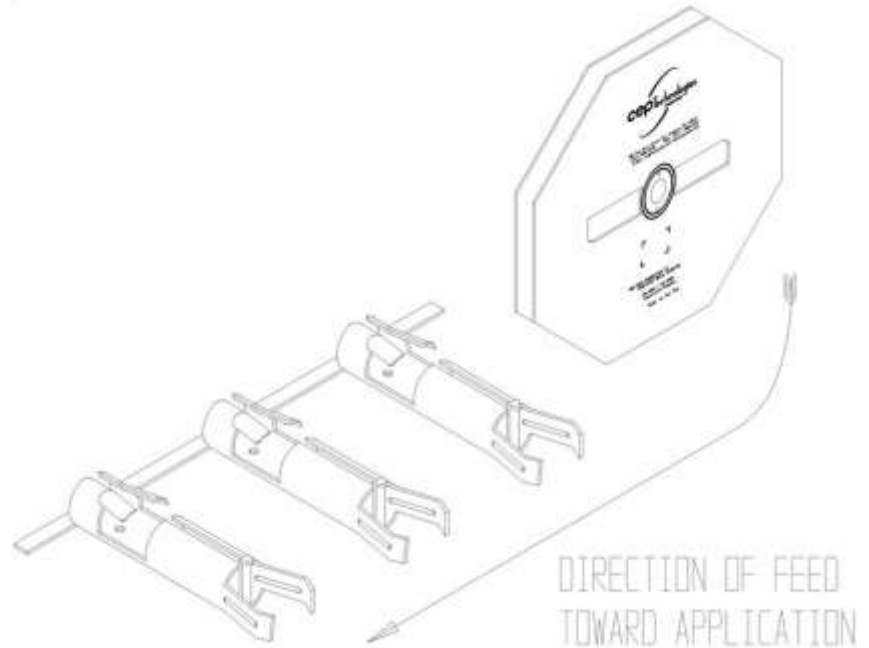
Minimum Order: 1

Package Type: Barrel

Units Per Package: 1

UPS Package Type: Customer Supplied Package

Freight Class: 50



180 Degree Distributor Terminal

Distributor Terminal

Item #
CEP2340

Material: Brass

Feed Direction: Rear

Parts Per Carton: 130,000

Parts Per Reel: 6,500

Overall Length (in): 0.81

Overall Length (mm): 20.57

Thickness (in): 0.018

Thickness (mm): 0.46

Wire Size (mm): 7.00

Type of Handling Units: BAG - Bag

Type of Packages: BAG - Bag

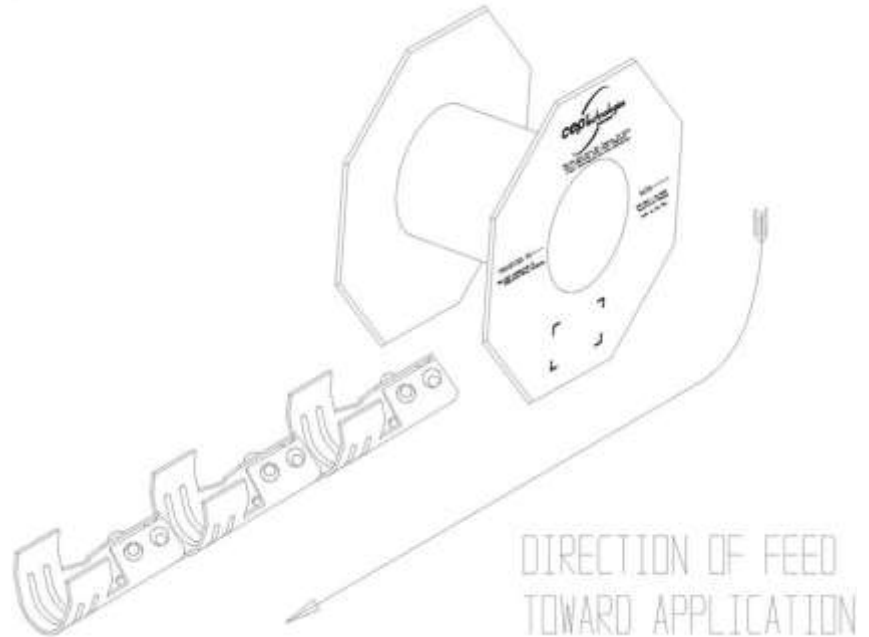
Minimum Order: 1

Package Type: Barrel

Units Per Package: 1

UPS Package Type: Customer Supplied Package

Freight Class: 50



180 Degree Distributor Terminal

Distributor Terminal

Item #
CEP2340EW

Material: Brass

Feed Direction: Rear

Parts Per Carton: 100,000

Parts Per Reel: 5,000

Overall Length (in): 0.81

Overall Length (mm): 20.57

Thickness (in): 0.018

Thickness (mm): 0.46

Wire Size (mm): 8.00

Type of Handling Units: BAG - Bag

Type of Packages: BAG - Bag

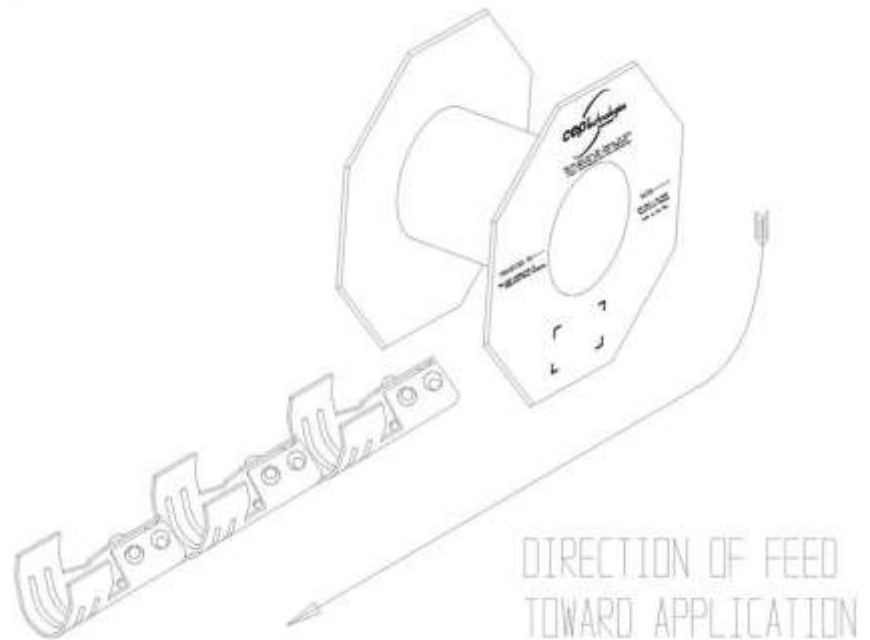
Minimum Order: 1

Package Type: Barrel

Units Per Package: 1

UPS Package Type: Customer Supplied Package

Freight Class: 50



Bendable Distributor Terminal

Item #
CEP2350

Distributor Terminal

Material: Brass

Feed Direction: Left to Right

Parts Per Carton: 35,000

Parts Per Reel: 2,500

Overall Length (in): 1.72

Overall Length (mm): 43.69

Thickness (in): 0.02

Thickness (mm): 0.51

Wire Size (mm): 7.00

Type of Handling Units: BAG - Bag

Type of Packages: BAG - Bag

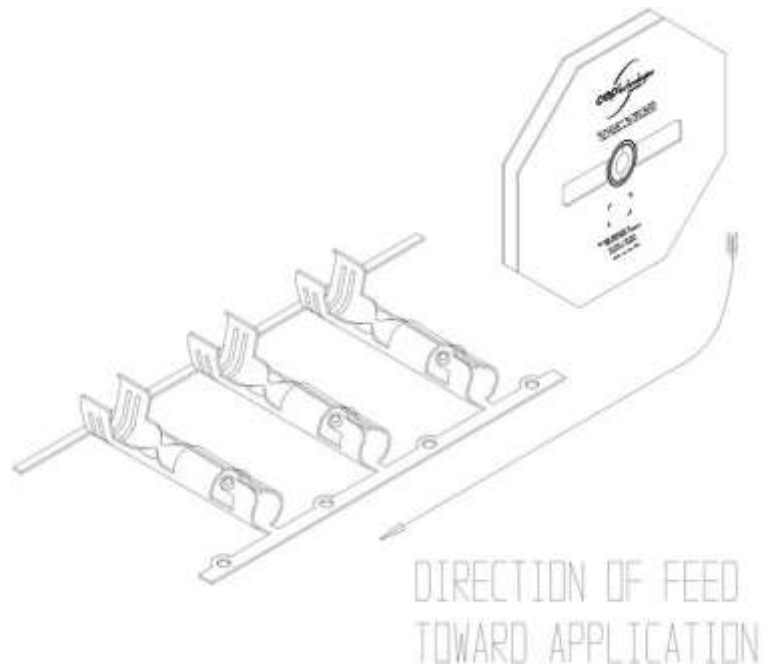
Minimum Order: 1

Package Type: Barrel

Units Per Package: 1

UPS Package Type: Customer Supplied Package

Freight Class: 50



Bendable Distributor Terminal

Distributor Terminal

Item #
CEP2350S

Material: Stainless Steel

Feed Direction: Left to Right

Parts Per Carton: 35,000

Parts Per Reel: 2,500

Overall Length (in): 1.72

Overall Length (mm): 43.69

Thickness (in): 0.018

Thickness (mm): 0.46

Wire Size (mm):

Type of Handling Units: BAG - Bag

Type of Packages: BAG - Bag

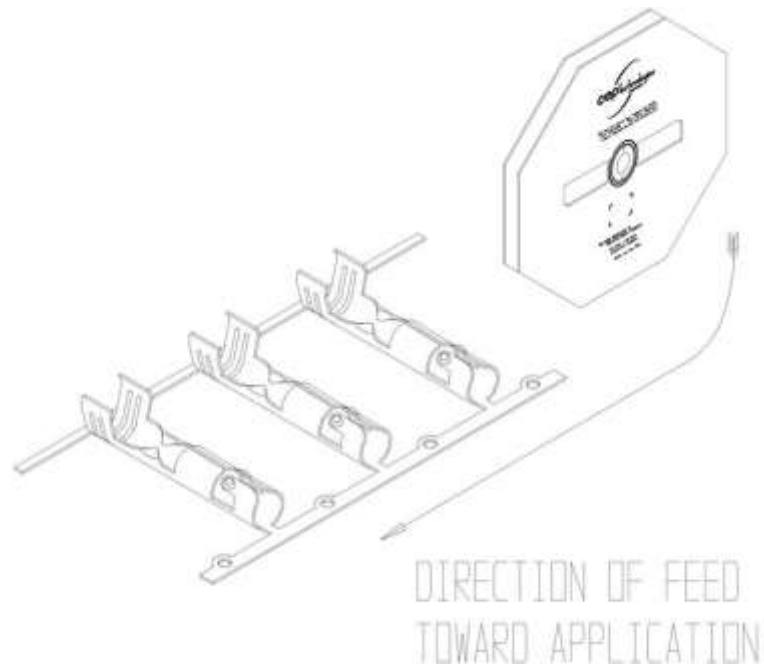
Minimum Order: 1

Package Type: Barrel

Units Per Package: 1

UPS Package Type: Customer Supplied Package

Freight Class: 50



Bendable Distributor Terminal

Distributor Terminal

Item #
CEP2350Z

Material: Zinc Plated

Feed Direction: Left to Right

Parts Per Carton: 35,000

Parts Per Reel: 2,500

Overall Length (in): 1.72

Overall Length (mm): 43.69

Thickness (in): 0.02

Thickness (mm): 0.51

Wire Size (mm):

Type of Handling Units: BAG - Bag

Type of Packages: BAG - Bag

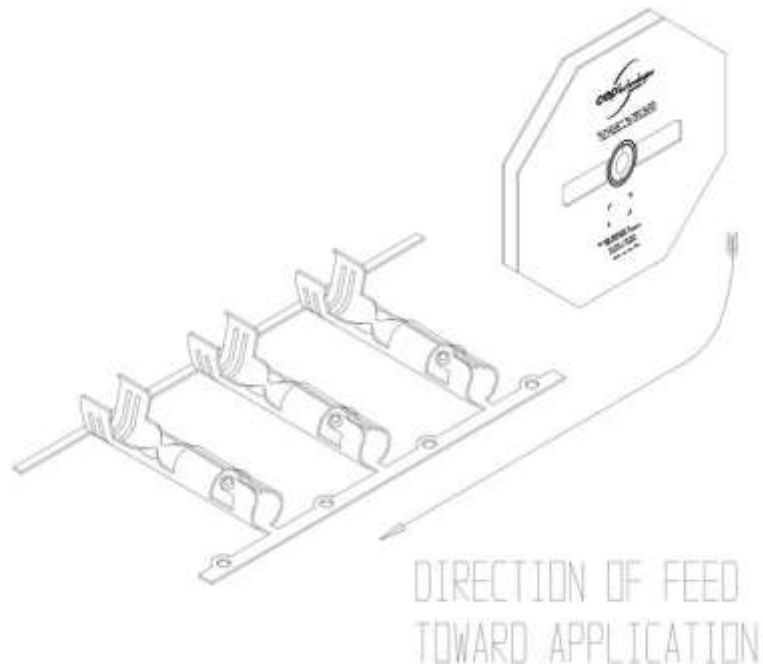
Minimum Order: 1

Package Type: Barrel

Units Per Package: 1

UPS Package Type: Customer Supplied Package

Freight Class: 50



180 Degree Distributor Terminal

Distributor Terminal

Item #
CEP2357

Material: Brass

Feed Direction: Rear

Parts Per Carton: 130,000

Parts Per Reel: 6,500

Overall Length (in): 0.81

Overall Length (mm): 20.57

Thickness (in): 0.018

Thickness (mm): 0.46

Wire Size (mm): 7.00

Type of Handling Units: BAG - Bag

Type of Packages: BAG - Bag

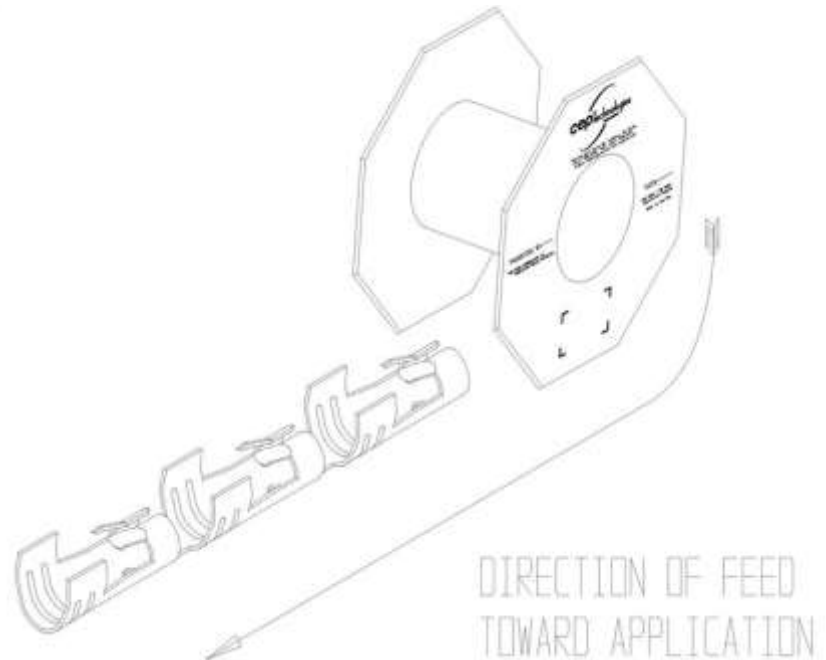
Minimum Order: 1

Package Type: Barrel

Units Per Package: 1

UPS Package Type: Customer Supplied Package

Freight Class: 50



180 Degree Distributor Terminal

Distributor Terminal

Item #
CEP2357EW

Material: Brass

Feed Direction: Rear

Parts Per Carton: 100,000

Parts Per Reel: 5,000

Overall Length (in): 0.81

Overall Length (mm): 20.57

Thickness (in): 0.018

Thickness (mm): 0.46

Wire Size (mm): 7.00

Type of Handling Units: BAG - Bag

Type of Packages: BAG - Bag

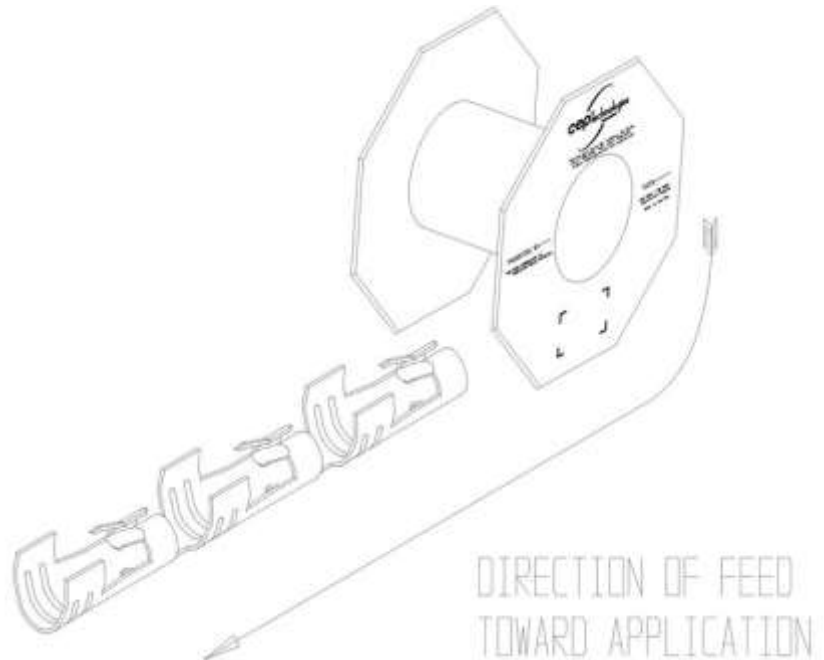
Minimum Order: 1

Package Type: Barrel

Units Per Package: 1

UPS Package Type: Customer Supplied Package

Freight Class: 50



180 Degree Distributor Terminal

Distributor Terminal

Item #
CEP2357L

Material: Brass

Feed Direction: Loose Piece

Parts Per Carton: 7,000

Parts Per Reel:

Overall Length (in): 0.81

Overall Length (mm): 20.57

Thickness (in): 0.018

Thickness (mm): 0.46

Wire Size (mm): 7.00

Type of Handling Units: BAG - Bag

Type of Packages: BAG - Bag

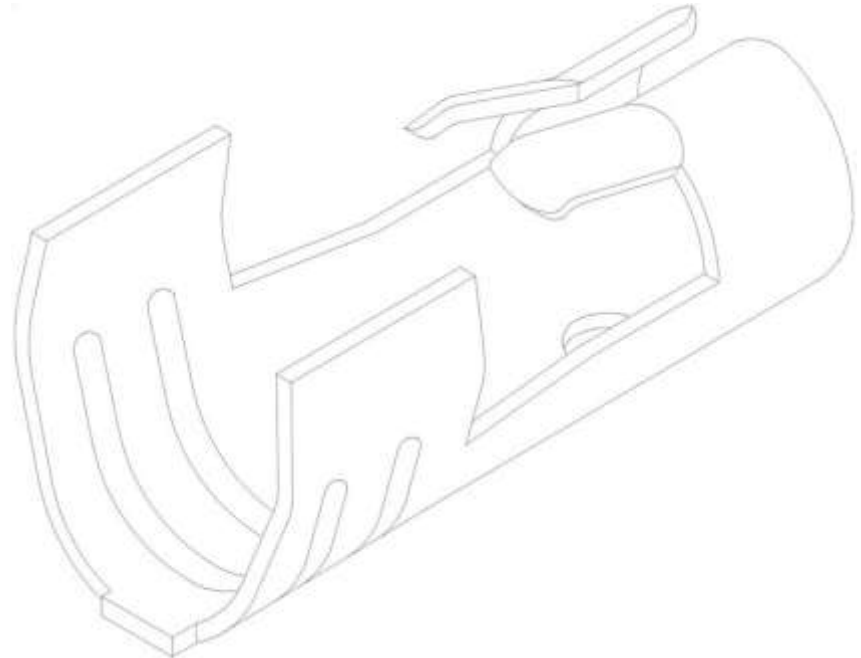
Minimum Order: 1

Package Type: Barrel

Units Per Package: 1

UPS Package Type: Customer Supplied Package

Freight Class: 50



180 Degree Distributor Terminal

Distributor Terminal

Item #
CEP2357S

Material: Stainless Steel

Feed Direction: Rear

Parts Per Carton: 130,000

Parts Per Reel: 6,500

Overall Length (in): 0.81

Overall Length (mm): 20.57

Thickness (in): 0.018

Thickness (mm): 0.46

Wire Size (mm): 7.00

Type of Handling Units: BAG - Bag

Type of Packages: BAG - Bag

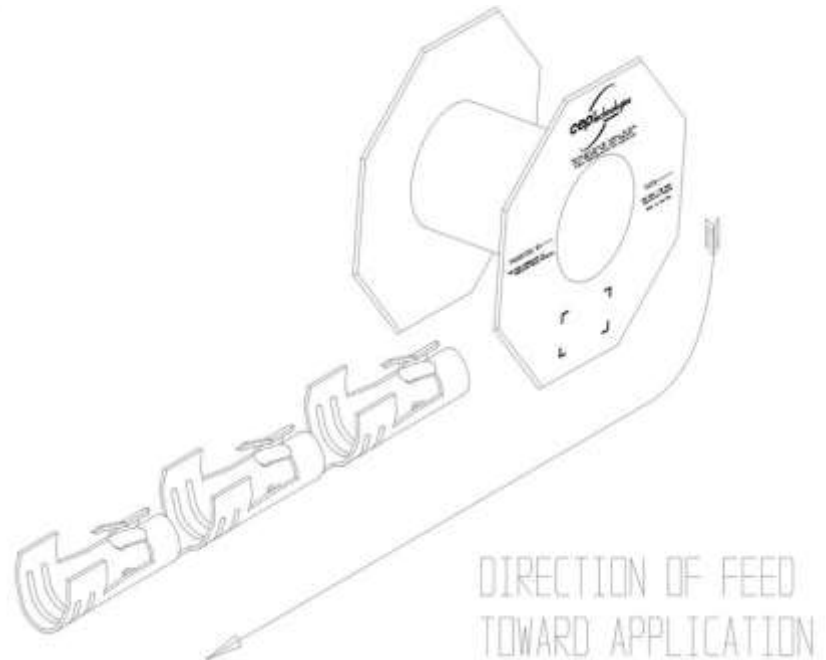
Minimum Order: 1

Package Type: Barrel

Units Per Package: 1

UPS Package Type: Customer Supplied Package

Freight Class: 50



180 Degree Distributor Terminal

Distributor Terminal

Item #
CEP2357SL

Material: Stainless Steel

Feed Direction: Loose Piece

Parts Per Carton: 7,000

Parts Per Reel:

Overall Length (in): 0.81

Overall Length (mm): 20.57

Thickness (in): 0.018

Thickness (mm): 0.46

Wire Size (mm): 7.00

Type of Handling Units: BAG - Bag

Type of Packages: BAG - Bag

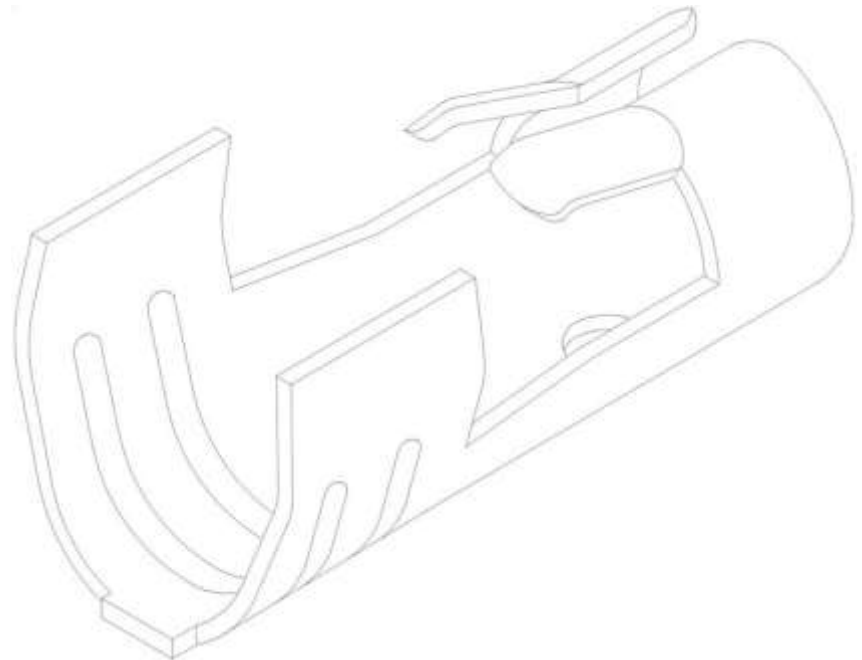
Minimum Order: 1

Package Type: Barrel

Units Per Package: 1

UPS Package Type: Customer Supplied Package

Freight Class: 50



180 Degree Distributor Terminal

Distributor Terminal

Item #
CEP2357Z

Material: Zinc Plated

Feed Direction: Rear

Parts Per Carton: 130,000

Parts Per Reel: 6,500

Overall Length (in): 0.81

Overall Length (mm): 20.57

Thickness (in): 0.02

Thickness (mm): 0.51

Wire Size (mm): 7.00

Type of Handling Units: BAG - Bag

Type of Packages: BAG - Bag

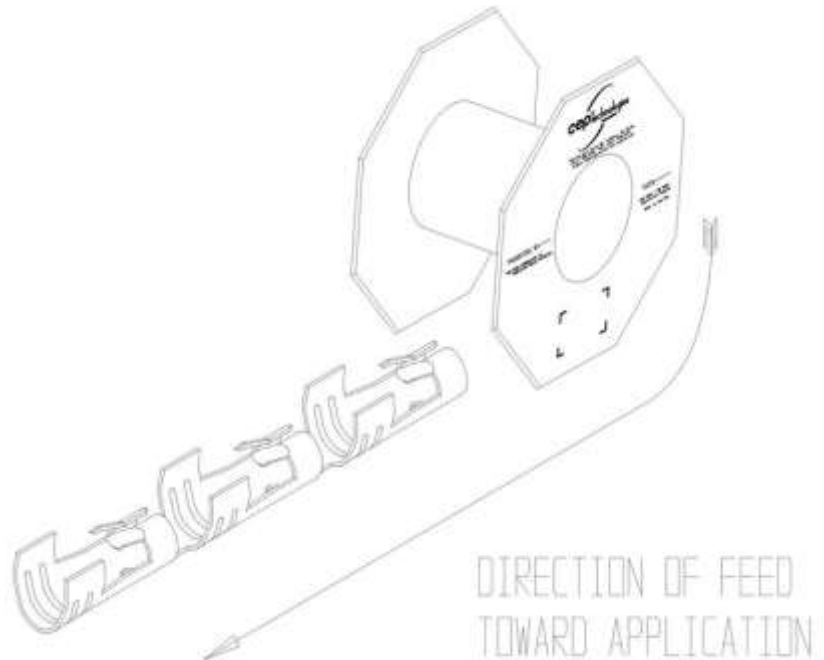
Minimum Order: 1

Package Type: Barrel

Units Per Package: 1

UPS Package Type: Customer Supplied Package

Freight Class: 50



180 Degree Distributor Terminal

Distributor Terminal

Item #
CEP2358

Material: Brass

Feed Direction: Rear

Parts Per Carton: 100,000

Parts Per Reel: 5,000

Overall Length (in): 0.81

Overall Length (mm): 20.57

Thickness (in): 0.018

Thickness (mm): 0.46

Wire Size (mm): 8.00

Type of Handling Units: BAG - Bag

Type of Packages: BAG - Bag

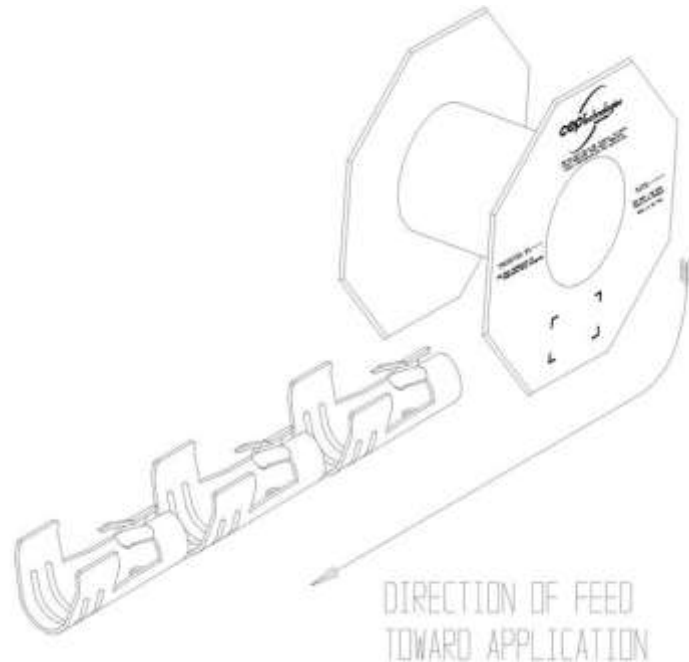
Minimum Order: 1

Package Type: Barrel

Units Per Package: 1

UPS Package Type: Customer Supplied Package

Freight Class: 50



180 Degree Distributor Terminal

Distributor Terminal

Item #
CEP2358L

Material: Brass

Feed Direction: Loose Piece

Parts Per Carton: 7,000

Parts Per Reel:

Overall Length (in): 0.81

Overall Length (mm): 20.57

Thickness (in): 0.018

Thickness (mm): 0.46

Wire Size (mm): 8.00

Type of Handling Units: BAG - Bag

Type of Packages: BAG - Bag

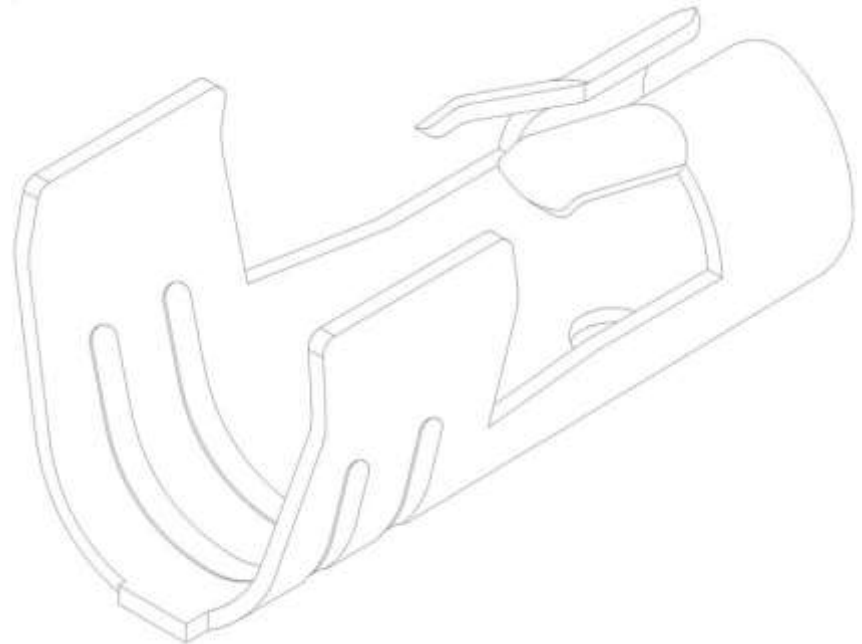
Minimum Order: 1

Package Type: Barrel

Units Per Package: 1

UPS Package Type: Customer Supplied Package

Freight Class: 50



180 Degree Distributor Terminal

Distributor Terminal

Item #
CEP2360

Material: Brass

Feed Direction: Rear

Parts Per Carton: 69,000

Parts Per Reel: 3,000

Overall Length (in): 0.81

Overall Length (mm): 20.57

Thickness (in): 0.02

Thickness (mm): 0.51

Wire Size (mm): 7.00

Type of Handling Units: BAG - Bag

Type of Packages: BAG - Bag

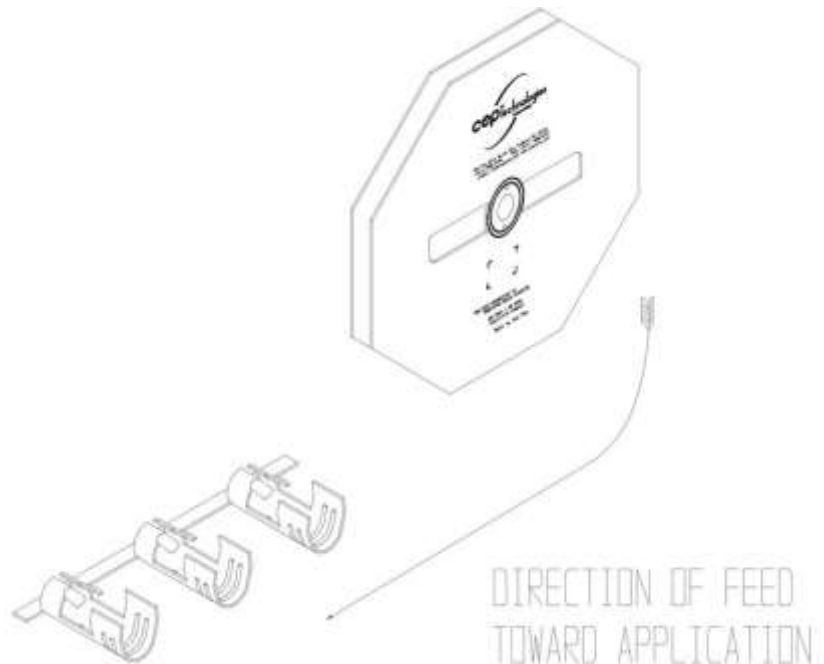
Minimum Order: 1

Package Type: Barrel

Units Per Package: 1

UPS Package Type: Customer Supplied Package

Freight Class: 50



180 Degree Distributor Terminal

Distributor Terminal

Item #
CEP2360W

Material: Brass

Feed Direction: Rear

Parts Per Carton: 69,000

Parts Per Reel: 3,000

Overall Length (in): 0.81

Overall Length (mm): 20.57

Thickness (in): 0.02

Thickness (mm): 0.51

Wire Size (mm): 7.00

Type of Handling Units: BAG - Bag

Type of Packages: BAG - Bag

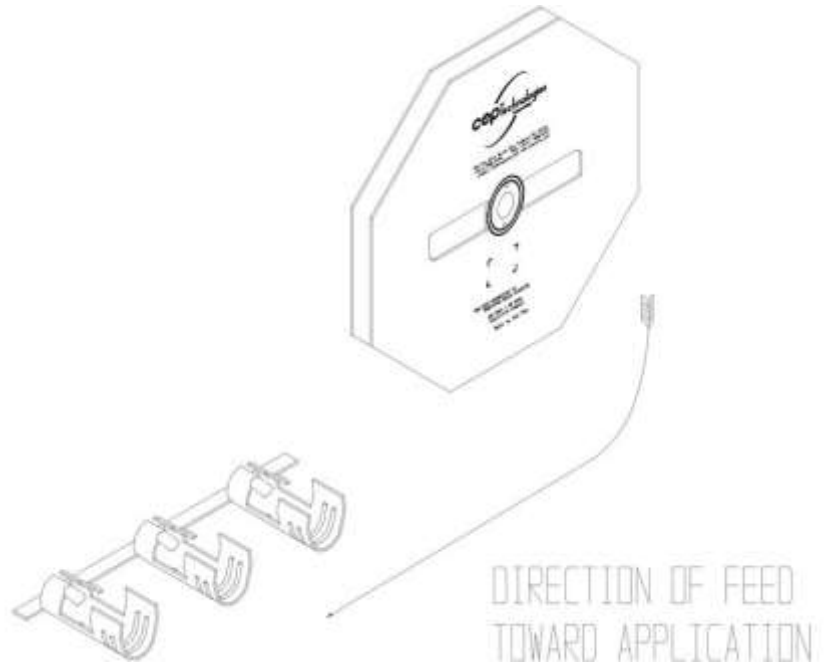
Minimum Order: 1

Package Type: Barrel

Units Per Package: 1

UPS Package Type: Customer Supplied Package

Freight Class: 50



Bendable Distributor Terminal

Distributor Terminal

Item #
CEP2367

Material: Brass

Feed Direction: Left to Right

Parts Per Carton: 32,500

Parts Per Reel: 2,500

Overall Length (in): 1.97

Overall Length (mm): 50.04

Thickness (in): 0.02

Thickness (mm): 0.51

Wire Size (mm):

Type of Handling Units: BAG - Bag

Type of Packages: BAG - Bag

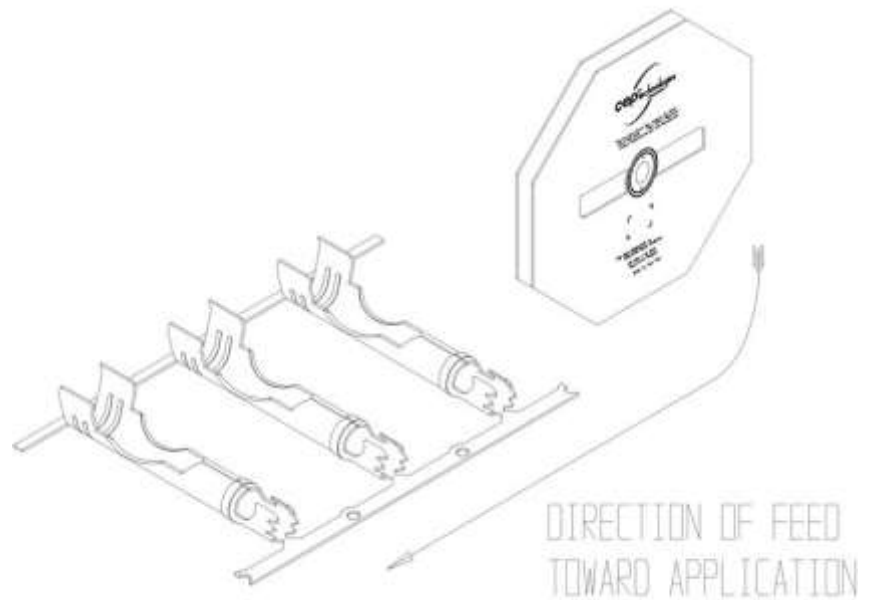
Minimum Order: 1

Package Type: Barrel

Units Per Package: 1

UPS Package Type: Customer Supplied Package

Freight Class: 50



Bendable Distributor Terminal

Distributor Terminal

Item #
CEP2367S

Material: Stainless Steel

Feed Direction: Left to Right

Parts Per Carton: 32,500

Parts Per Reel: 2,500

Overall Length (in): 1.97

Overall Length (mm): 50.04

Thickness (in): 0.018

Thickness (mm): 0.46

Wire Size (mm):

Type of Handling Units: BAG - Bag

Type of Packages: BAG - Bag

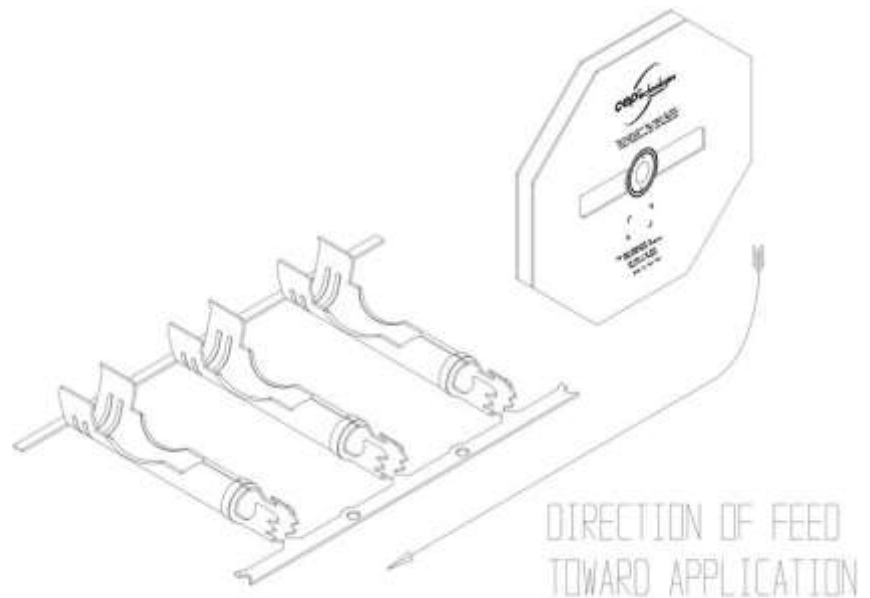
Minimum Order: 1

Package Type: Barrel

Units Per Package: 1

UPS Package Type: Customer Supplied Package

Freight Class: 50



180 Degree Distributor Terminal

Distributor Terminal

Item #
CEP2375

Material: Alloy Bronze

Feed Direction: Left to Right

Parts Per Carton: 52,500

Parts Per Reel: 2,500

Overall Length (in): 0.979

Overall Length (mm): 24.87

Thickness (in): 0.02

Thickness (mm): 0.51

Wire Size (mm): 7.00

Type of Handling Units: BAG - Bag

Type of Packages: BAG - Bag

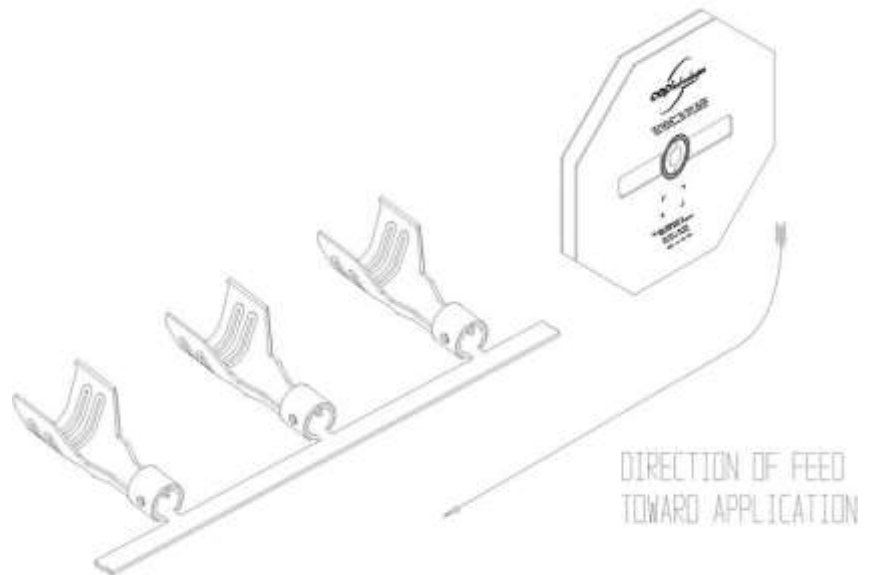
Minimum Order: 1

Package Type: Barrel

Units Per Package: 1

UPS Package Type: Customer Supplied Package

Freight Class: 50



180 Degree Distributor Terminal with Tang

Distributor Terminal

Item #
CEP2375T

Material: Alloy Bronze

Feed Direction: Left to Right

Parts Per Carton: 52,500

Parts Per Reel: 2,500

Overall Length (in): 0.979

Overall Length (mm): 24.87

Thickness (in): 0.02

Thickness (mm): 0.51

Wire Size (mm): 7.00

Type of Handling Units: BAG - Bag

Type of Packages: BAG - Bag

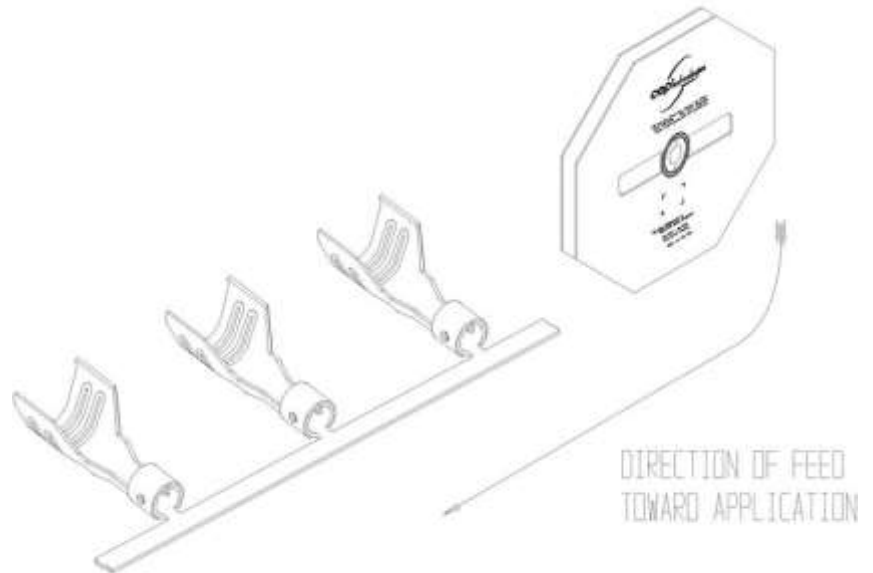
Minimum Order: 1

Package Type: Barrel

Units Per Package: 1

UPS Package Type: Customer Supplied Package

Freight Class: 50



180 Degree Distributor Terminal

Distributor Terminal

Item #
CEP2457

Material: Stainless Steel

Feed Direction: Rear

Parts Per Carton: 130,000

Parts Per Reel: 6,500

Overall Length (in): 0.81

Overall Length (mm): 20.57

Thickness (in): 0.016

Thickness (mm): 0.41

Wire Size (mm): 7.00

Type of Handling Units: BAG - Bag

Type of Packages: BAG - Bag

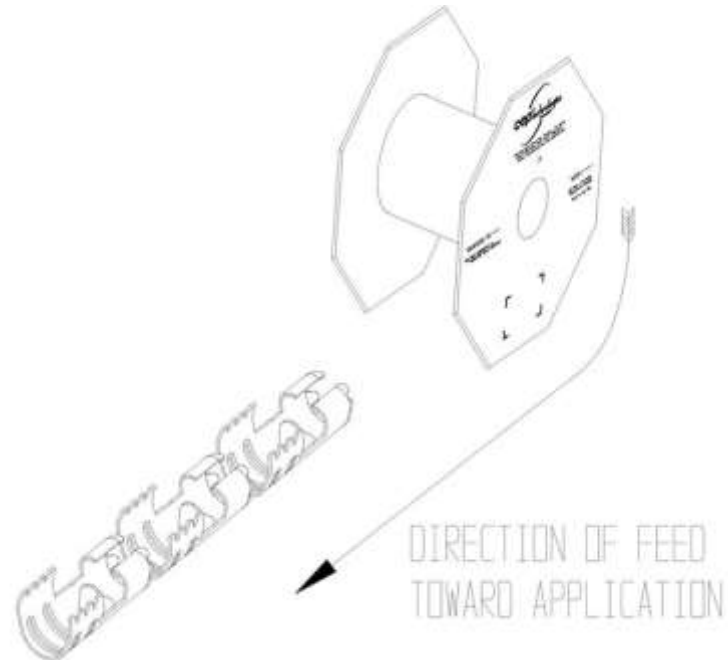
Minimum Order: 1

Package Type: Barrel

Units Per Package: 1

UPS Package Type: Customer Supplied Package

Freight Class: 50



180 Degree Distributor Terminal

Distributor Terminal

Item #
CEP2780

Material: Stainless Steel

Feed Direction: Left to Right

Parts Per Carton: 51,000

Parts Per Reel: 3,000

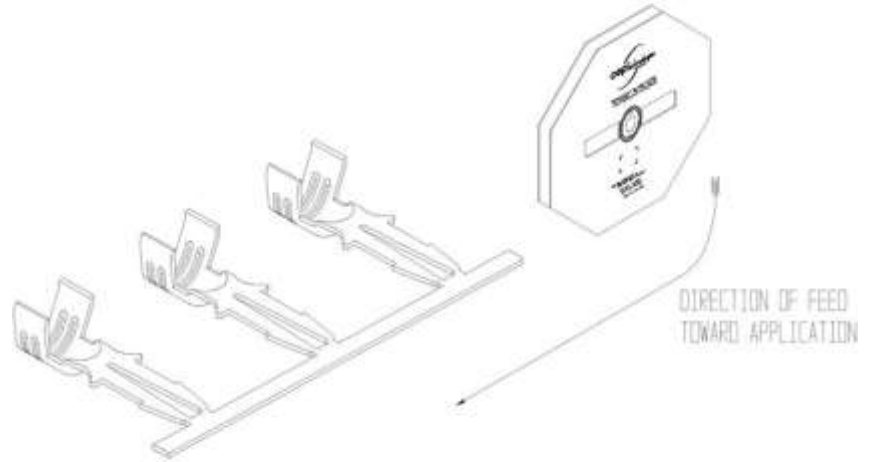
Overall Length (in): 1.25

Overall Length (mm): 31.75

Thickness (in): 0.031

Thickness (mm): 0.787

Wire Size (mm): 7.00



Type of Handling Units: BAG - Bag

Type of Packages: BAG - Bag

Minimum Order: 1

Package Type: Barrel

Units Per Package: 1

UPS Package Type: Customer Supplied Package

Freight Class: 50

180 Degree Distributor Terminal

Distributor Terminal

Item #
CEP2975

Material: Stainless Steel

Feed Direction: Left to Right

Parts Per Carton: 52,500

Parts Per Reel: 2,500

Overall Length (in): 0.974

Overall Length (mm): 24.74

Thickness (in): 0.02

Thickness (mm): 0.51

Wire Size (mm): 7.00

Type of Handling Units: BAG - Bag

Type of Packages: BAG - Bag

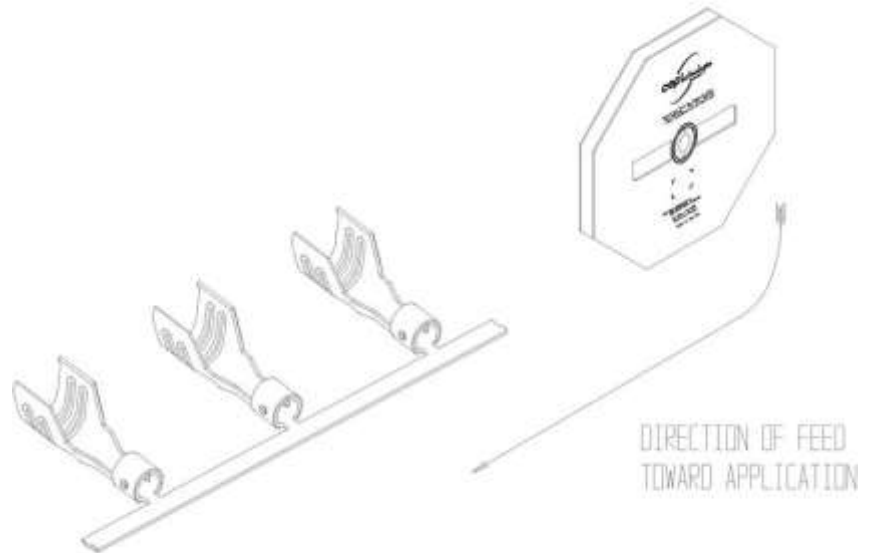
Minimum Order: 1

Package Type: Barrel

Units Per Package: 1

UPS Package Type: Customer Supplied Package

Freight Class: 50



180 Degree Distributor Terminal with Tang

Distributor Terminal

Item #
CEP2975T

Material: Stainless Steel

Feed Direction: Left to Right

Parts Per Carton: 52,500

Parts Per Reel: 2,500

Overall Length (in): 0.974

Overall Length (mm): 24.74

Thickness (in): 0.02

Thickness (mm): 0.51

Wire Size (mm): 7.00

Type of Handling Units: BAG - Bag

Type of Packages: BAG - Bag

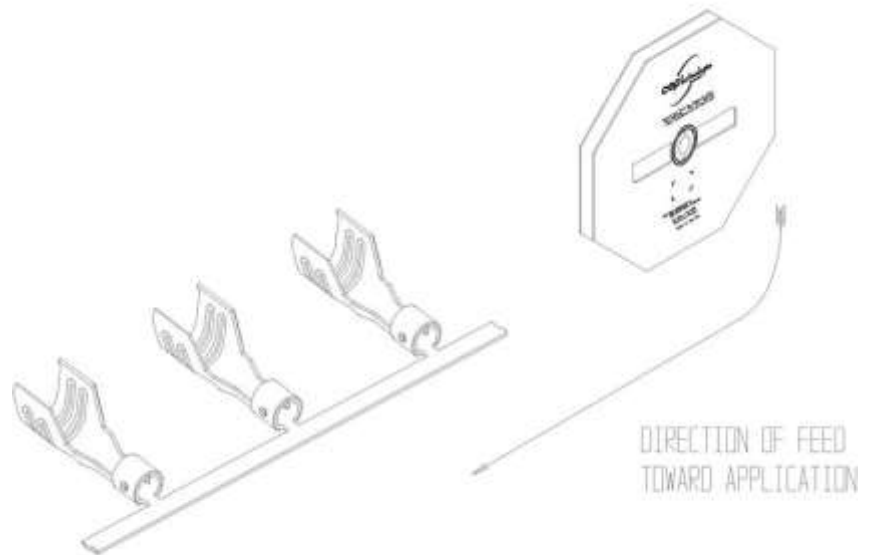
Minimum Order: 1

Package Type: Barrel

Units Per Package: 1

UPS Package Type: Customer Supplied Package

Freight Class: 50



180 Degree Spark Plug Terminal

Spark Plug Terminal

Item #
CEP3000S

Material: Stainless Steel

Feed Direction: Left to Right

Parts Per Carton: 45,000

Parts Per Reel: 3,000

Overall Length (in): 1.505

Overall Length (mm): 38.23

Thickness (in): 0.02

Thickness (mm): 0.51

Wire Size (mm): 5.00

Type of Handling Units: BAG - Bag

Type of Packages: BAG - Bag

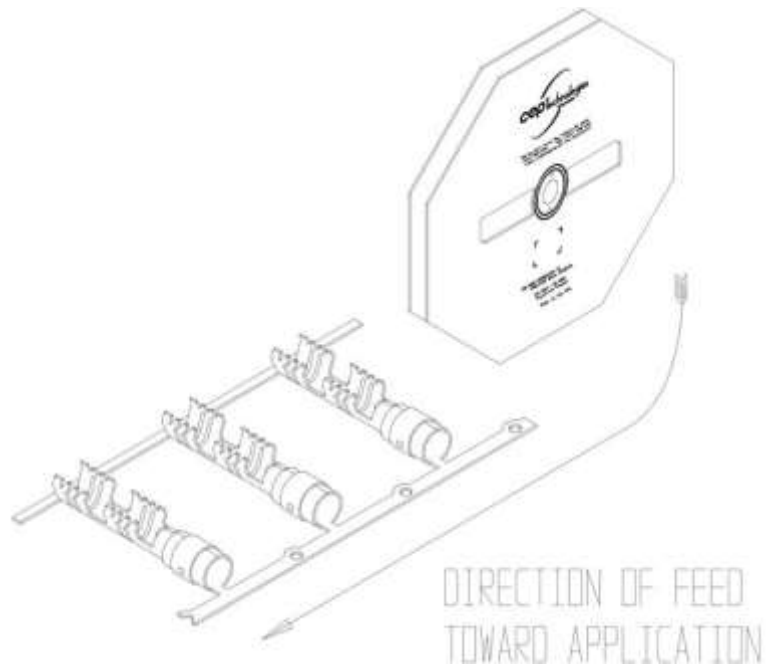
Minimum Order: 1

Package Type: Barrel

Units Per Package: 1

UPS Package Type: Customer Supplied Package

Freight Class: 50



Bendable Distributor Terminal

Distributor Terminal

Item #
CEP3100

Material: Stainless Steel

Feed Direction: Left to Right

Parts Per Carton: 60,000

Parts Per Reel: 4,000

Overall Length (in): 1.6

Overall Length (mm): 40.64

Thickness (in): 0.018

Thickness (mm): 0.46

Wire Size (mm): 5.00

Type of Handling Units: BAG - Bag

Type of Packages: BAG - Bag

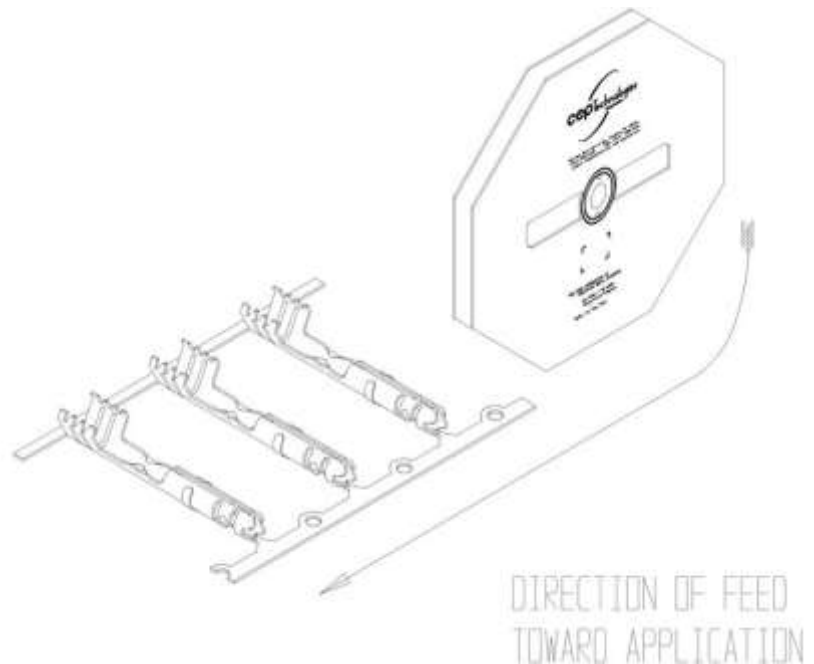
Minimum Order: 1

Package Type: Barrel

Units Per Package: 1

UPS Package Type: Customer Supplied Package

Freight Class: 50



Bendable Distributor Terminal

Distributor Terminal

Item #
CEP3200

Material: Stainless Steel

Feed Direction: Left to Right

Parts Per Carton: 52,000

Parts Per Reel: 4,000

Overall Length (in): 2

Overall Length (mm): 50.8

Thickness (in): 0.018

Thickness (mm): 0.46

Wire Size (mm): 5.00

Type of Handling Units: BAG - Bag

Type of Packages: BAG - Bag

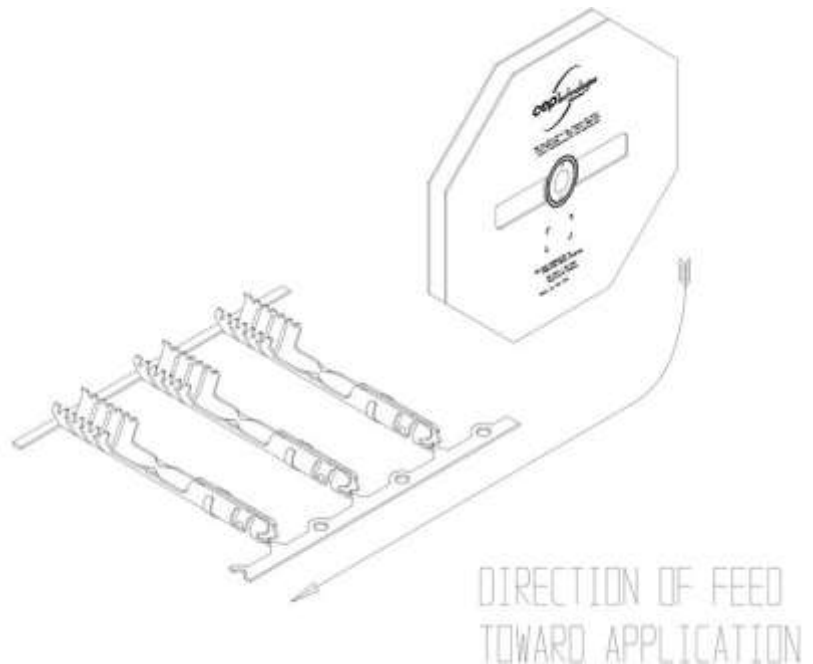
Minimum Order: 1

Package Type: Barrel

Units Per Package: 1

UPS Package Type: Customer Supplied Package

Freight Class: 50



Bendable Distributor Terminal

Distributor Terminal

Item #
CEP3300

Material: Stainless Steel

Feed Direction: Left to Right

Parts Per Carton: 60,000

Parts Per Reel: 4,000

Overall Length (in): 1.6

Overall Length (mm): 40.64

Thickness (in): 0.018

Thickness (mm): 0.46

Wire Size (mm): 5.00

Type of Handling Units: BAG - Bag

Type of Packages: BAG - Bag

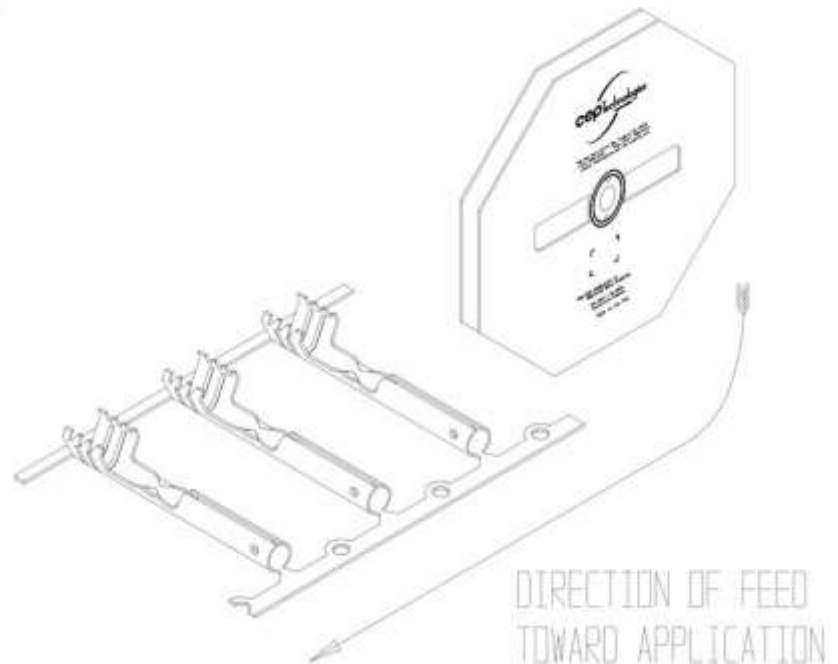
Minimum Order: 1

Package Type: Barrel

Units Per Package: 1

UPS Package Type: Customer Supplied Package

Freight Class: 50



180 Degree Distributor Terminal

Distributor Terminal

Item #
CEP3400

Material: Stainless Steel

Feed Direction: Left to Right

Parts Per Carton: 72,000

Parts Per Reel: 4,000

Overall Length (in): 1.205

Overall Length (mm): 30.61

Thickness (in): 0.018

Thickness (mm): 0.46

Wire Size (mm): 5.00

Type of Handling Units: BAG - Bag

Type of Packages: BAG - Bag

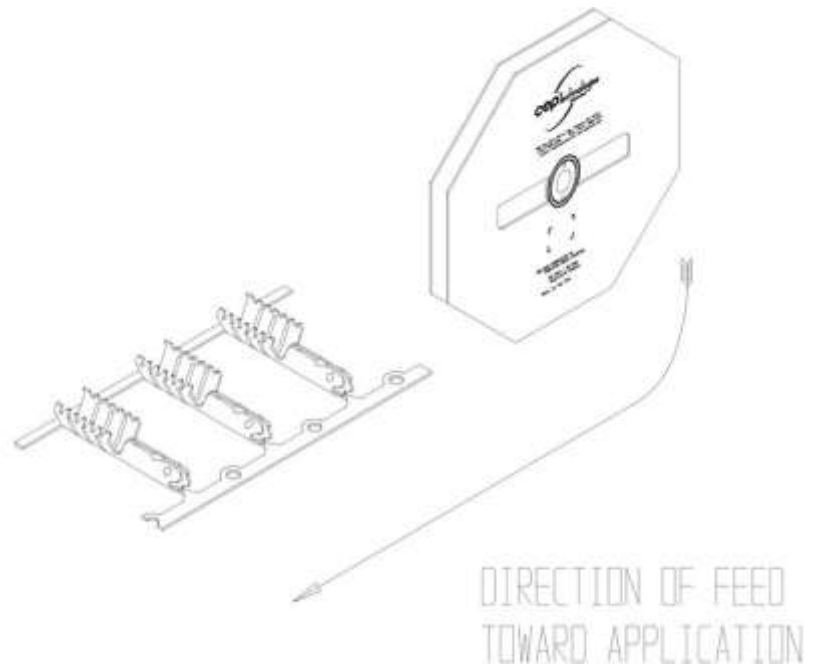
Minimum Order: 1

Package Type: Barrel

Units Per Package: 1

UPS Package Type: Customer Supplied Package

Freight Class: 50



90 Degree Spark Plug Terminal Wide Clip

Spark Plug Terminal

Item #
CEP5058

Material: Zinc Plated

Feed Direction: Loose Piece

Parts Per Carton: 7,000

Parts Per Reel:

Overall Length (in): 0.918

Overall Length (mm): 23.32

Thickness (in): 0.02

Thickness (mm): 0.51

Wire Size (mm):

Type of Handling Units: BAG - Bag

Type of Packages: BAG - Bag

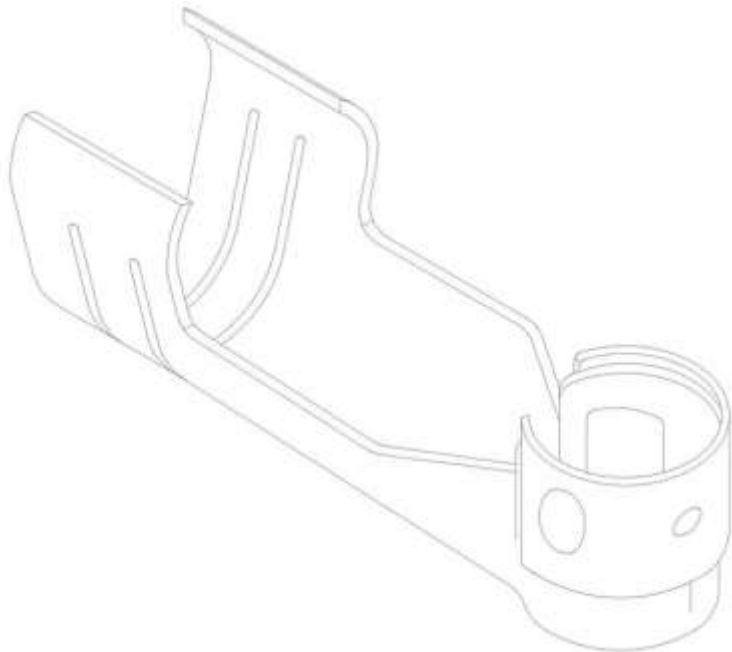
Minimum Order: 1

Package Type: Barrel

Units Per Package: 1

UPS Package Type: Customer Supplied Package

Freight Class: 50



90 Degree Spark Plug Terminal Wide Clip

Spark Plug Terminal

Item #
CEP5058S

Material: Stainless Steel

Feed Direction: Loose Piece

Parts Per Carton: 7,000

Parts Per Reel:

Overall Length (in): 0.918

Overall Length (mm): 23.32

Thickness (in): 0.018

Thickness (mm): 0.46

Wire Size (mm):

Type of Handling Units: BAG - Bag

Type of Packages: BAG - Bag

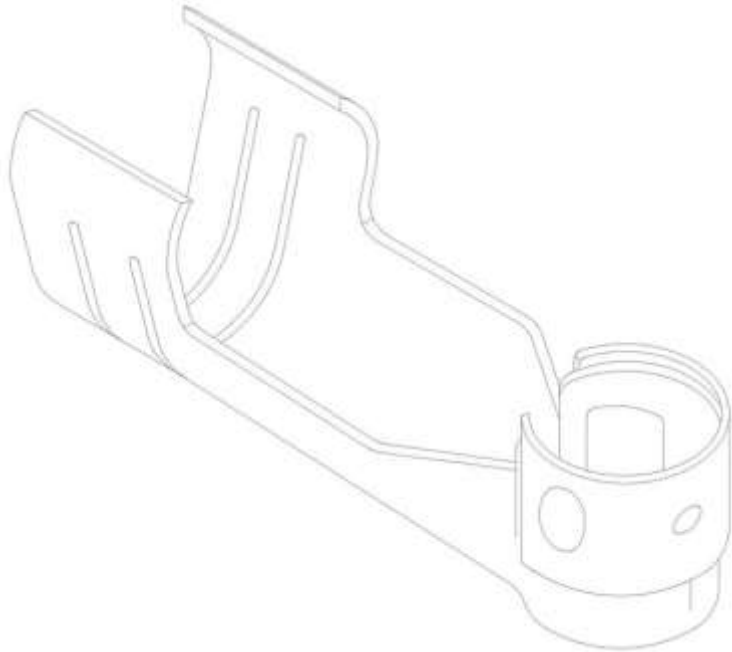
Minimum Order: 1

Package Type: Barrel

Units Per Package: 1

UPS Package Type: Customer Supplied Package

Freight Class: 50



180 Degere Spark Plug Terminal Wide Clip

Spark Plug Terminal

Item #
CEP5061

Material: Zinc Plated

Feed Direction: Left to Right

Parts Per Carton: 47,500

Parts Per Reel: 2,500

Overall Length (in): 1.18

Overall Length (mm): 29.97

Thickness (in): 0.02

Thickness (mm): 0.51

Wire Size (mm):

Type of Handling Units: BAG - Bag

Type of Packages: BAG - Bag

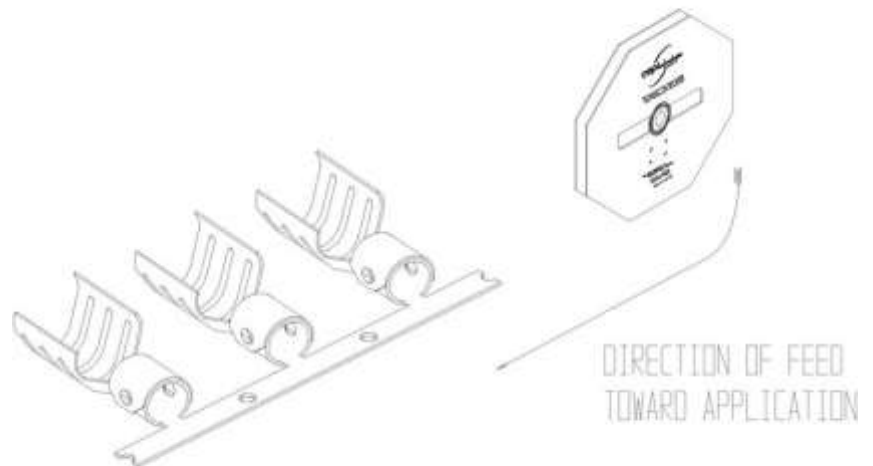
Minimum Order: 1

Package Type: Barrel

Units Per Package: 1

UPS Package Type: Customer Supplied Package

Freight Class: 50



180 Degere Spark Plug Terminal Wide Clip

Spark Plug Terminal

Item #
CEP5061PB

Material: Alloy Bronze

Feed Direction: Left to Right

Parts Per Carton: 47,500

Parts Per Reel: 2,500

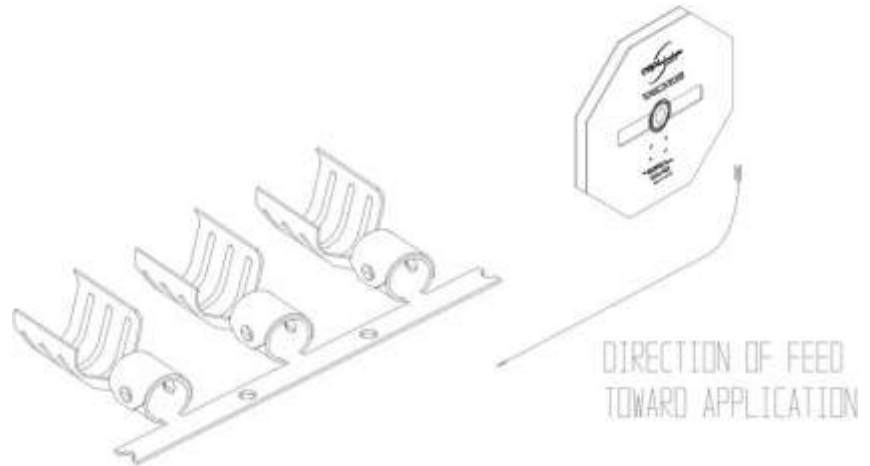
Overall Length (in): 1.18

Overall Length (mm): 29.97

Thickness (in): 0.02

Thickness (mm): 0.51

Wire Size (mm):



Type of Handling Units: BAG - Bag

Type of Packages: BAG - Bag

Minimum Order: 1

Package Type: Barrel

Units Per Package: 1

UPS Package Type: Customer Supplied Package

Freight Class: 50

180 Degere Spark Plug Terminal Wide Clip

Spark Plug Terminal

Item #
CEP5061S

Material: Stainless Steel

Feed Direction: Left to Right

Parts Per Carton: 47,500

Parts Per Reel: 2,500

Overall Length (in): 1.18

Overall Length (mm): 29.97

Thickness (in): 0.02

Thickness (mm): 0.51

Wire Size (mm):

Type of Handling Units: BAG - Bag

Type of Packages: BAG - Bag

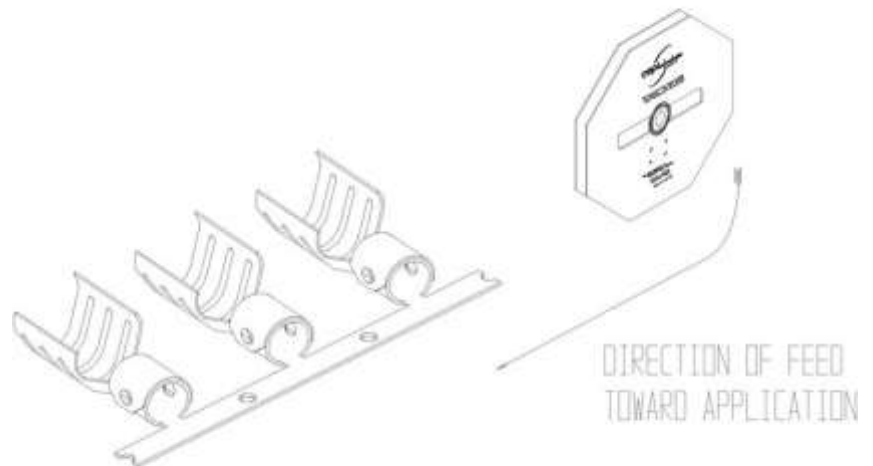
Minimum Order: 1

Package Type: Barrel

Units Per Package: 1

UPS Package Type: Customer Supplied Package

Freight Class: 50



Bendable 180 Degree Spark Plug Terminal Wide Clip

Spark Plug Terminal

Item #
CEP5080

Material: Zinc Plated

Feed Direction: Left to Right

Parts Per Carton: 32,500

Parts Per Reel: 2,500

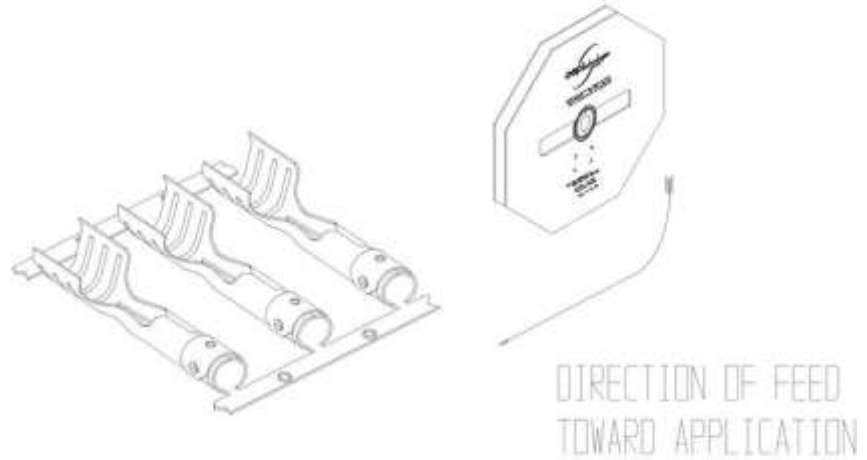
Overall Length (in): 1.76

Overall Length (mm): 44.7

Thickness (in): 0.02

Thickness (mm): 0.51

Wire Size (mm):



Type of Handling Units: BAG - Bag

Type of Packages: BAG - Bag

Minimum Order: 1

Package Type: Barrel

Units Per Package: 1

UPS Package Type: Customer Supplied Package

Freight Class: 50

Bendable 180 Degree Spark Plug Terminal Wide Clip

Spark Plug Terminal

Item #
CEP5080RW

Material: Zinc Plated

Feed Direction: Right to Left

Parts Per Carton: 32,500

Parts Per Reel: 2,500

Overall Length (in): 1.76

Overall Length (mm): 44.7

Thickness (in): 0.02

Thickness (mm): 0.51

Wire Size (mm):

Type of Handling Units: BAG - Bag

Type of Packages: BAG - Bag

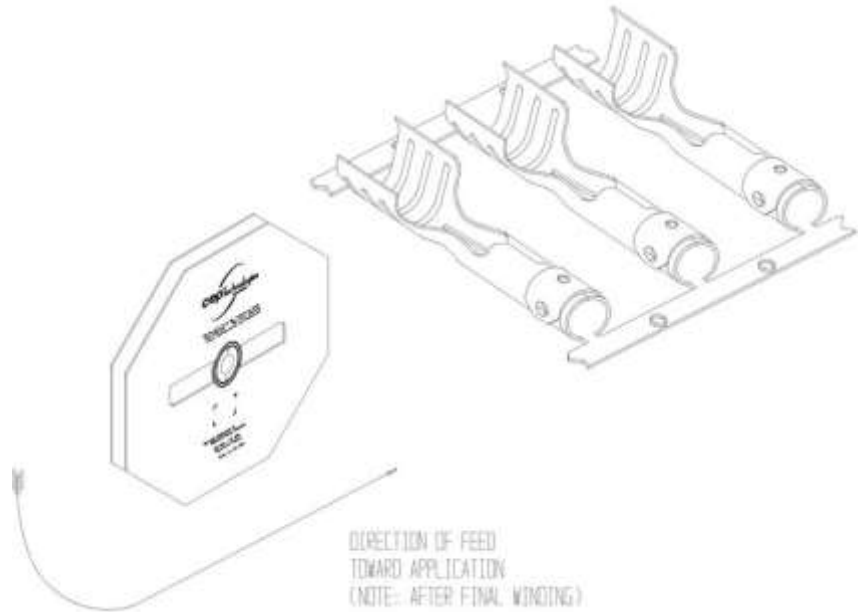
Minimum Order: 1

Package Type: Barrel

Units Per Package: 1

UPS Package Type: Customer Supplied Package

Freight Class: 50



Bendable 180 Degree Spark Plug Terminal Wide Clip

Spark Plug Terminal

Item #
CEP5080S

Material: Stainless Steel

Feed Direction: Left to Right

Parts Per Carton: 32,500

Parts Per Reel: 2,500

Overall Length (in): 1.76

Overall Length (mm): 44.7

Thickness (in): 0.02

Thickness (mm): 0.51

Wire Size (mm):

Type of Handling Units: BAG - Bag

Type of Packages: BAG - Bag

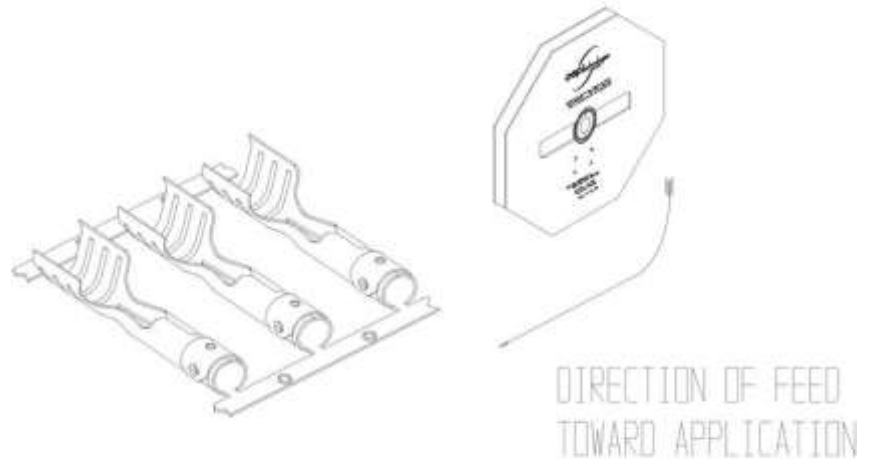
Minimum Order: 1

Package Type: Barrel

Units Per Package: 1

UPS Package Type: Customer Supplied Package

Freight Class: 50



180 Degree Spark Plug Terminal Wide Clip

Spark Plug Terminal

Item #
CEP5082S

Material: Stainless Steel

Feed Direction: Left to Right

Parts Per Carton: 32,500

Parts Per Reel: 2,500

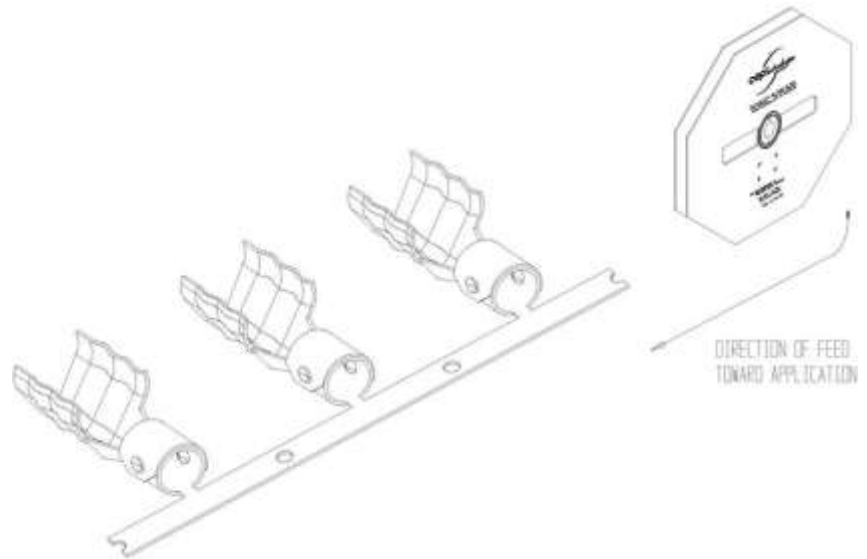
Overall Length (in): 1.17

Overall Length (mm): 29.72

Thickness (in): 0.018

Thickness (mm): 0.46

Wire Size (mm): 9.00



Type of Handling Units: BAG - Bag

Type of Packages: BAG - Bag

Minimum Order: 1

Package Type: Barrel

Units Per Package: 1

UPS Package Type: Customer Supplied Package

Freight Class: 50

Bendable Distributor Terminal

Item #
CEP5085

Distributor Terminal

Material: Brass

Feed Direction: Left to Right

Parts Per Carton: 32,500

Parts Per Reel: 2,500

Overall Length (in): 1.978

Overall Length (mm): 50.24

Thickness (in): 0.02

Thickness (mm): 0.51

Wire Size (mm):

Type of Handling Units: BAG - Bag

Type of Packages: BAG - Bag

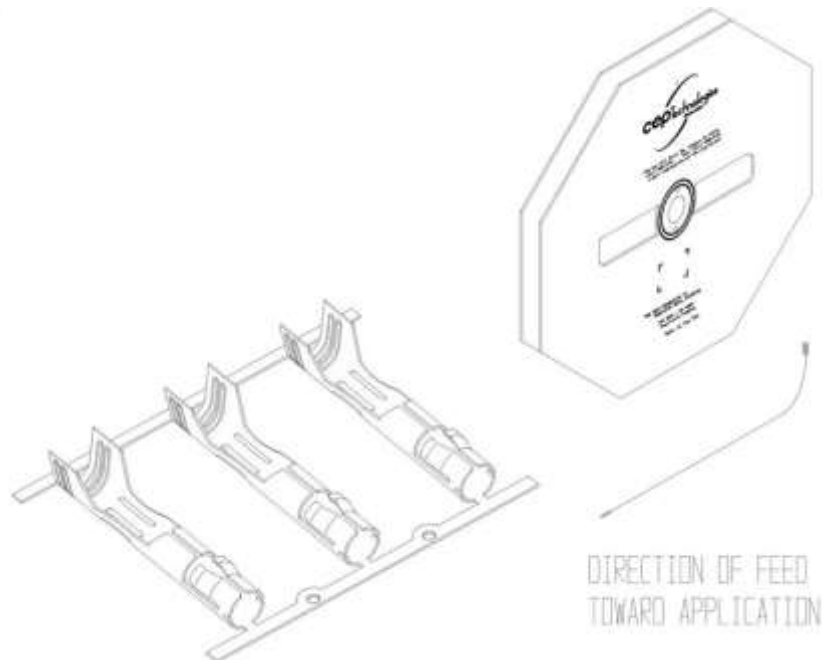
Minimum Order: 1

Package Type: Barrel

Units Per Package: 1

UPS Package Type: Customer Supplied Package

Freight Class: 50



Bendable Distributor Terminal

Distributor Terminal

Item #
CEP5093

Material: Stainless Steel

Feed Direction: Left to Right

Parts Per Carton: 25,000

Parts Per Reel: 2,500

Overall Length (in): 2.65

Overall Length (mm): 67.31

Thickness (in): 0.018

Thickness (mm): 0.46

Wire Size (mm):

Type of Handling Units: BAG - Bag

Type of Packages: BAG - Bag

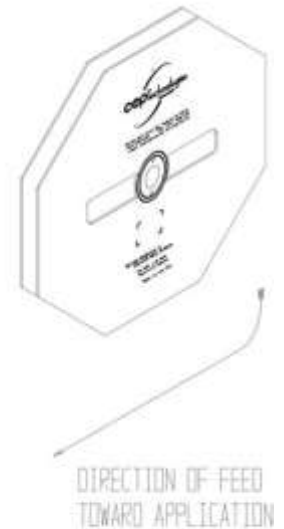
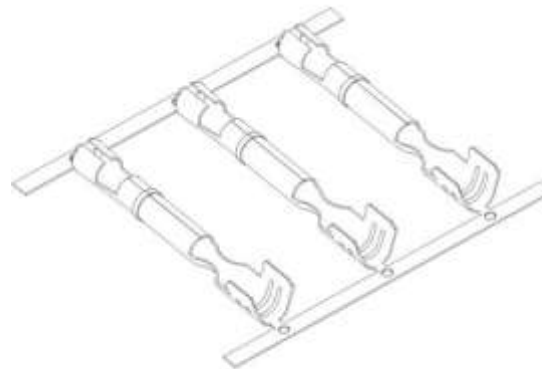
Minimum Order: 1

Package Type: Barrel

Units Per Package: 1

UPS Package Type: Customer Supplied Package

Freight Class: 50



Bendable Distributor Terminal

Distributor Terminal

Item #
CEP5093NS

Material: Stainless Steel

Feed Direction: Left to Right

Parts Per Carton: 25,000

Parts Per Reel: 2,500

Overall Length (in): 2.66

Overall Length (mm): 67.56

Thickness (in): 0.018

Thickness (mm): 0.46

Wire Size (mm):

Type of Handling Units: BAG - Bag

Type of Packages: BAG - Bag

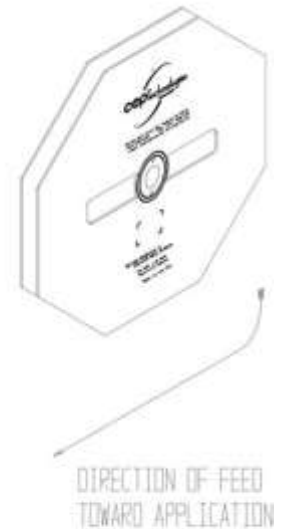
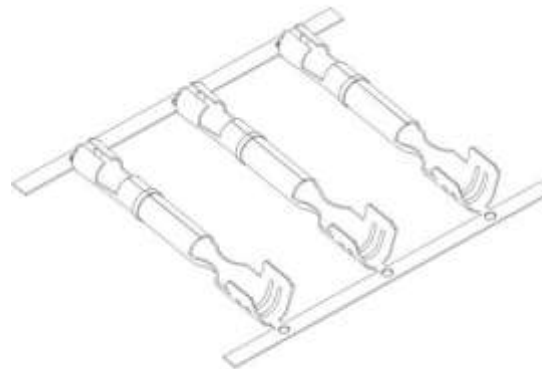
Minimum Order: 1

Package Type: Barrel

Units Per Package: 1

UPS Package Type: Customer Supplied Package

Freight Class: 50



180 Degree Distributor Terminal with Tang

Distributor Terminal

Item #
CEP5100

Material: Zinc Plated

Feed Direction: Left to Right

Parts Per Carton: 47,500

Parts Per Reel: 2,500

Overall Length (in): 0.98

Overall Length (mm): 24.89

Thickness (in): 0.02

Thickness (mm): 0.51

Wire Size (mm): 7.00

Type of Handling Units: BAG - Bag

Type of Packages: BAG - Bag

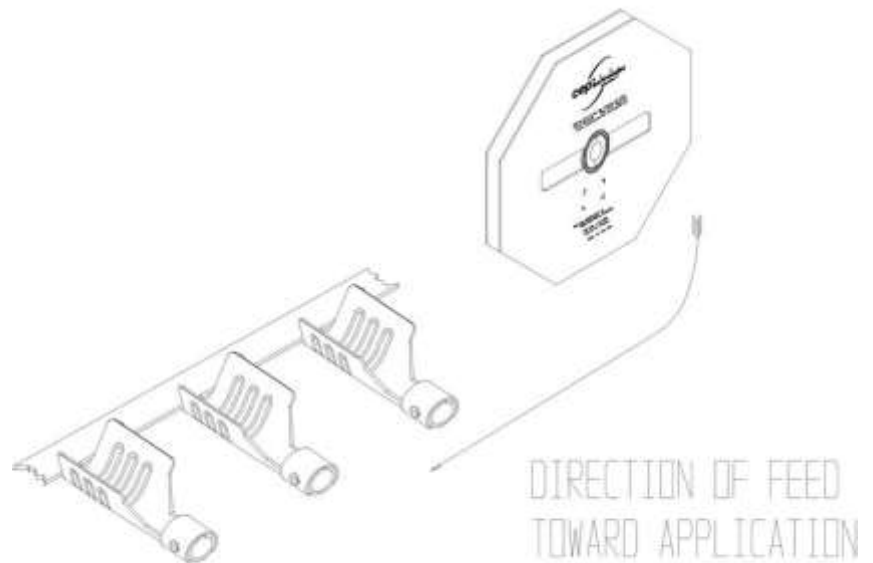
Minimum Order: 1

Package Type: Barrel

Units Per Package: 1

UPS Package Type: Customer Supplied Package

Freight Class: 50



180 Degree Distributor Terminal with Tang

Distributor Terminal

Item #
CEP5100S

Material: Stainless Steel

Feed Direction: Left to Right

Parts Per Carton: 47,500

Parts Per Reel: 2,500

Overall Length (in): 0.98

Overall Length (mm): 24.89

Thickness (in): 0.02

Thickness (mm): 0.51

Wire Size (mm): 7.00

Type of Handling Units: BAG - Bag

Type of Packages: BAG - Bag

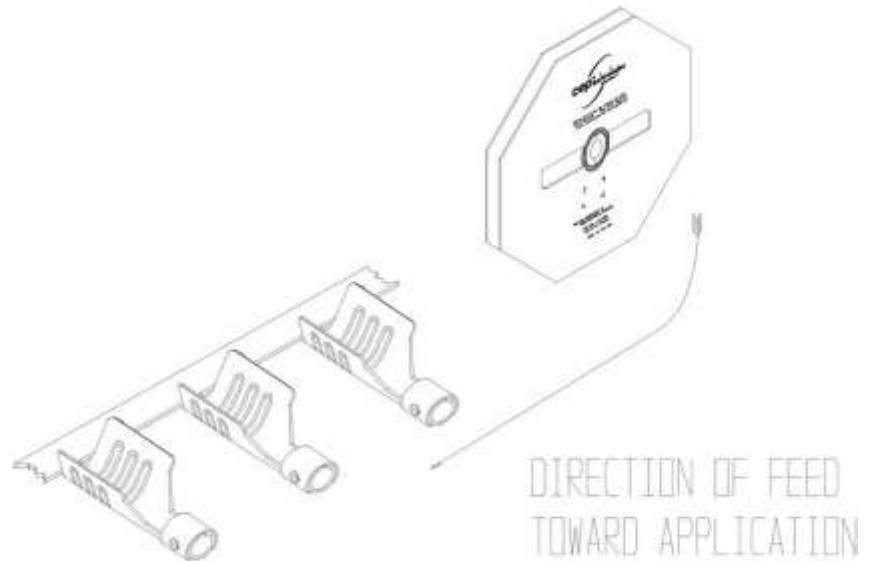
Minimum Order: 1

Package Type: Barrel

Units Per Package: 1

UPS Package Type: Customer Supplied Package

Freight Class: 50



180 Degree Distributor Terminal

Distributor Terminal

Item #
CEP5112

Material: Zinc Plated

Feed Direction: Left to Right

Parts Per Carton: 47,500

Parts Per Reel: 2,500

Overall Length (in): 0.98

Overall Length (mm): 24.89

Thickness (in): 0.02

Thickness (mm): 0.51

Wire Size (mm): 7.00

Type of Handling Units: BAG - Bag

Type of Packages: BAG - Bag

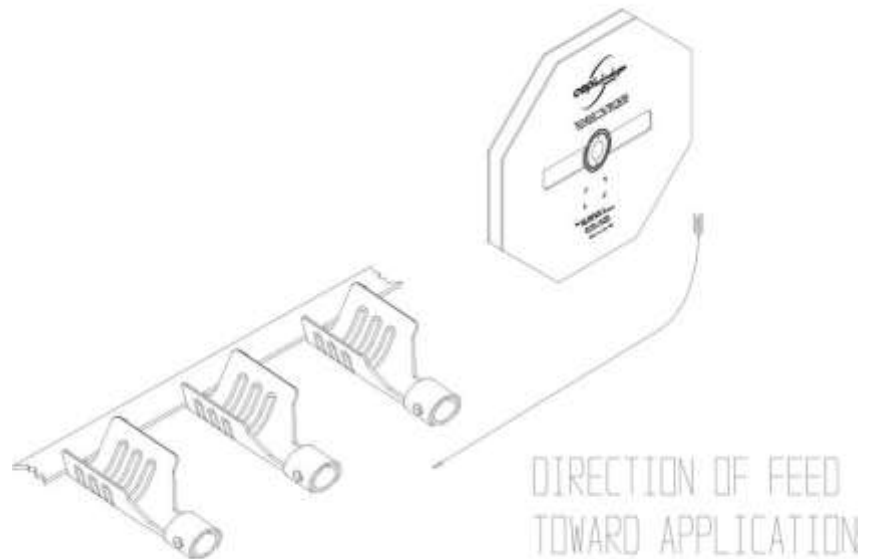
Minimum Order: 1

Package Type: Barrel

Units Per Package: 1

UPS Package Type: Customer Supplied Package

Freight Class: 50



180 Degree Distributor Terminal

Distributor Terminal

Item #
CEP5112S

Material: Stainless Steel

Feed Direction: Left to Right

Parts Per Carton: 47,500

Parts Per Reel: 2,500

Overall Length (in): 0.98

Overall Length (mm): 24.89

Thickness (in): 0.02

Thickness (mm): 0.51

Wire Size (mm): 7.00

Type of Handling Units: BAG - Bag

Type of Packages: BAG - Bag

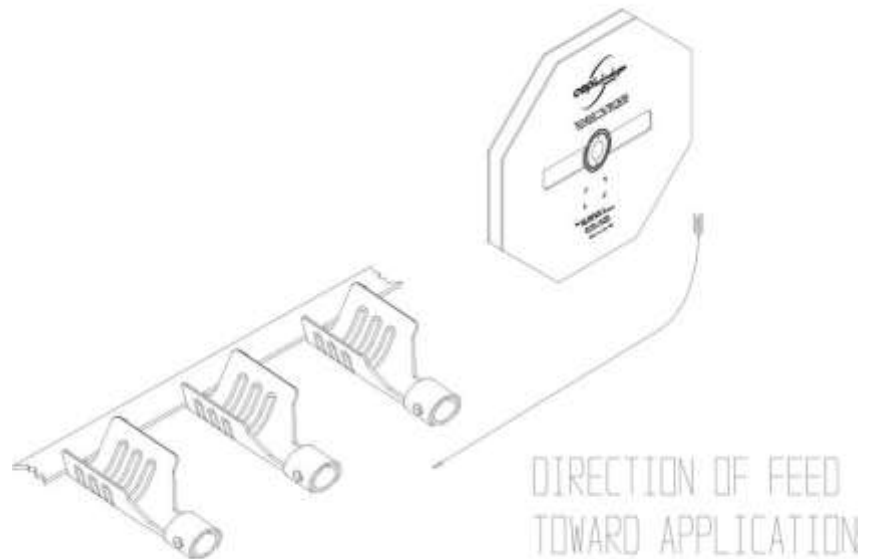
Minimum Order: 1

Package Type: Barrel

Units Per Package: 1

UPS Package Type: Customer Supplied Package

Freight Class: 50



Bendable 180 Degree Spark Plug Terminal Wide Clip

Spark Plug Terminal

Item #
CEP5121RW

Material: Stainless Steel

Feed Direction: Right to Left

Parts Per Carton: 32,500

Parts Per Reel: 2,500

Overall Length (in): 1.76

Overall Length (mm): 44.7

Thickness (in): 0.02

Thickness (mm): 0.51

Wire Size (mm):

Type of Handling Units: BAG - Bag

Type of Packages: BAG - Bag

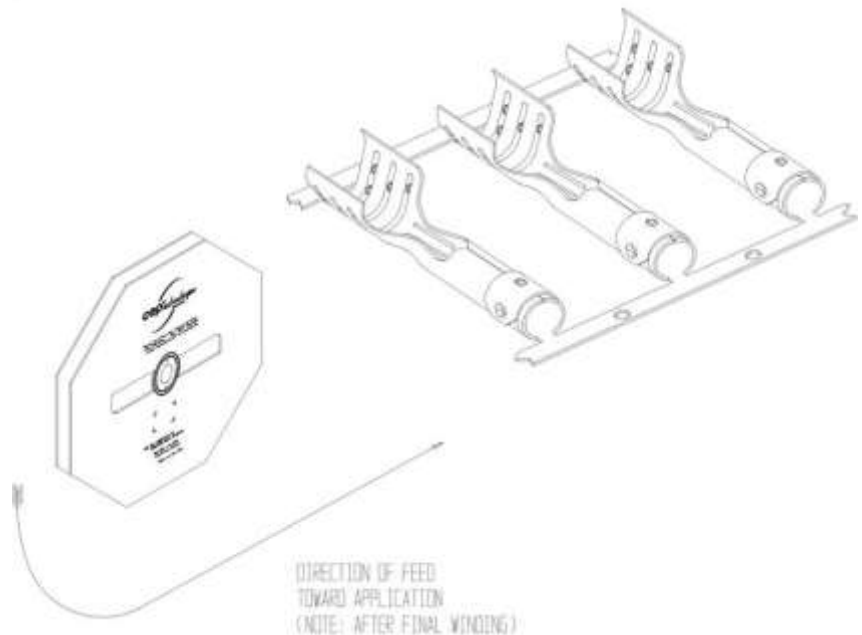
Minimum Order: 1

Package Type: Barrel

Units Per Package: 1

UPS Package Type: Customer Supplied Package

Freight Class: 50



Bendable 180 Degree Spark Plug Terminal Wide Clip

Spark Plug Terminal

Item #
CEP5121S

Material: Stainless Steel

Feed Direction: Left to Right

Parts Per Carton: 32,500

Parts Per Reel: 2,500

Overall Length (in): 1.76

Overall Length (mm): 44.7

Thickness (in): 0.02

Thickness (mm): 0.51

Wire Size (mm):

Type of Handling Units: BAG - Bag

Type of Packages: BAG - Bag

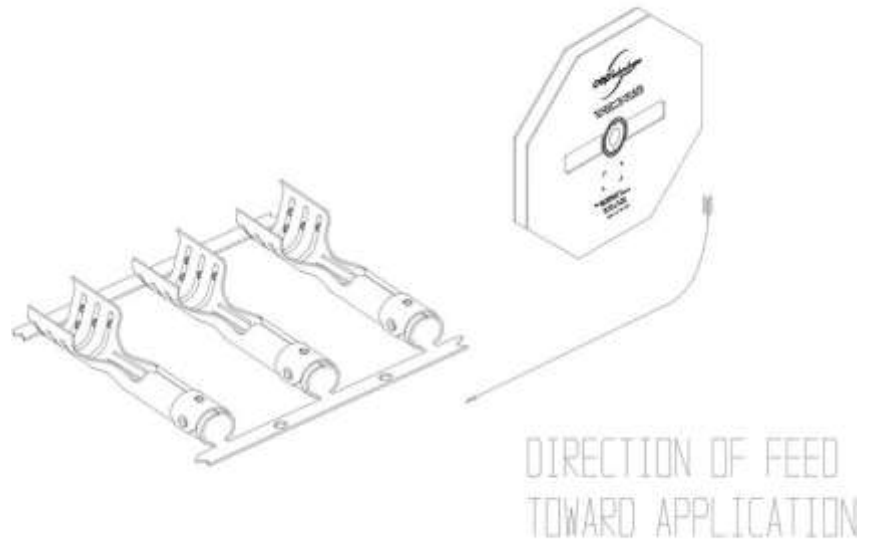
Minimum Order: 1

Package Type: Barrel

Units Per Package: 1

UPS Package Type: Customer Supplied Package

Freight Class: 50



180 Degere Spark Plug Terminal Wide Clip

Spark Plug Terminal

Item #
CEP5160

Material: Zinc Plated

Feed Direction: Left to Right

Parts Per Carton: 47,500

Parts Per Reel: 2,500

Overall Length (in): 1.18

Overall Length (mm): 29.97

Thickness (in): 0.02

Thickness (mm): 0.51

Wire Size (mm):

Type of Handling Units: BAG - Bag

Type of Packages: BAG - Bag

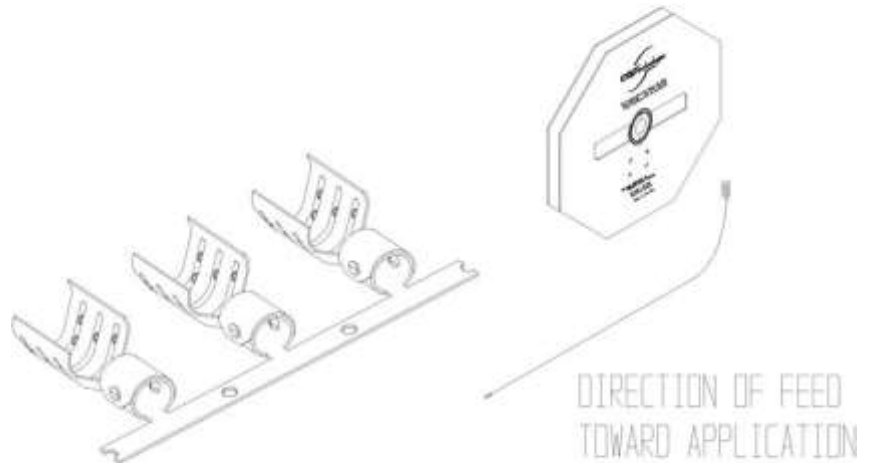
Minimum Order: 1

Package Type: Barrel

Units Per Package: 1

UPS Package Type: Customer Supplied Package

Freight Class: 50



180 Degere Spark Plug Terminal Wide Clip

Spark Plug Terminal

Item #
CEP5160PB

Material: Alloy Bronze

Feed Direction: Left to Right

Parts Per Carton: 47,500

Parts Per Reel: 2,500

Overall Length (in): 1.18

Overall Length (mm): 29.97

Thickness (in): 0.02

Thickness (mm): 0.51

Wire Size (mm):

Type of Handling Units: BAG - Bag

Type of Packages: BAG - Bag

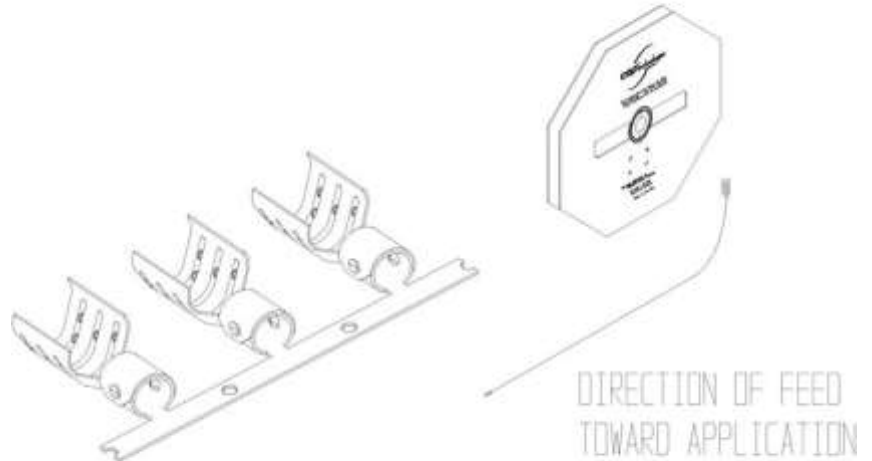
Minimum Order: 1

Package Type: Barrel

Units Per Package: 1

UPS Package Type: Customer Supplied Package

Freight Class: 50



180 Degere Spark Plug Terminal Wide Clip

Spark Plug Terminal

Item #
CEP5160S

Material: Stainless Steel

Feed Direction: Left to Right

Parts Per Carton: 47,500

Parts Per Reel: 2,500

Overall Length (in): 1.18

Overall Length (mm): 29.97

Thickness (in): 0.02

Thickness (mm): 0.51

Wire Size (mm):

Type of Handling Units: BAG - Bag

Type of Packages: BAG - Bag

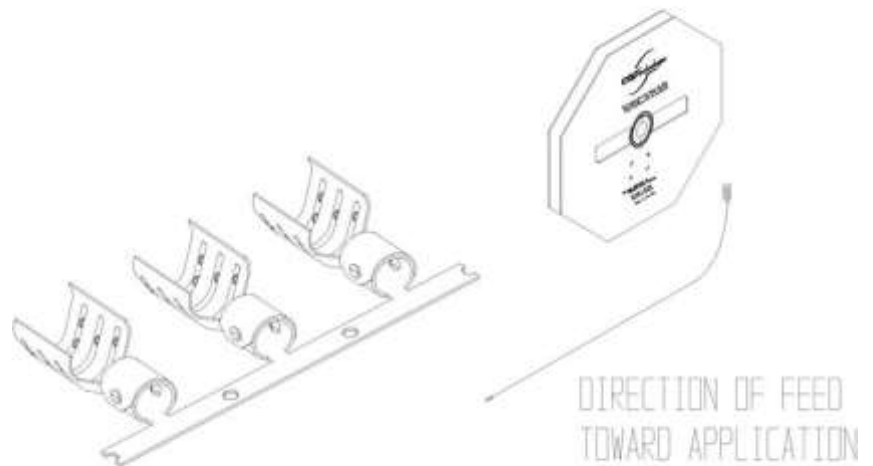
Minimum Order: 1

Package Type: Barrel

Units Per Package: 1

UPS Package Type: Customer Supplied Package

Freight Class: 50



Spike Terminal Clip

Item #
CEP600

Distributor Terminal

Material: Brass

Feed Direction: Loose Piece

Parts Per Carton: 10,000

Parts Per Reel:

Overall Length (in):

Overall Length (mm):

Thickness (in): 0.016

Thickness (mm): 0.41

Wire Size (mm):

Type of Handling Units: BAG - Bag

Type of Packages: BAG - Bag

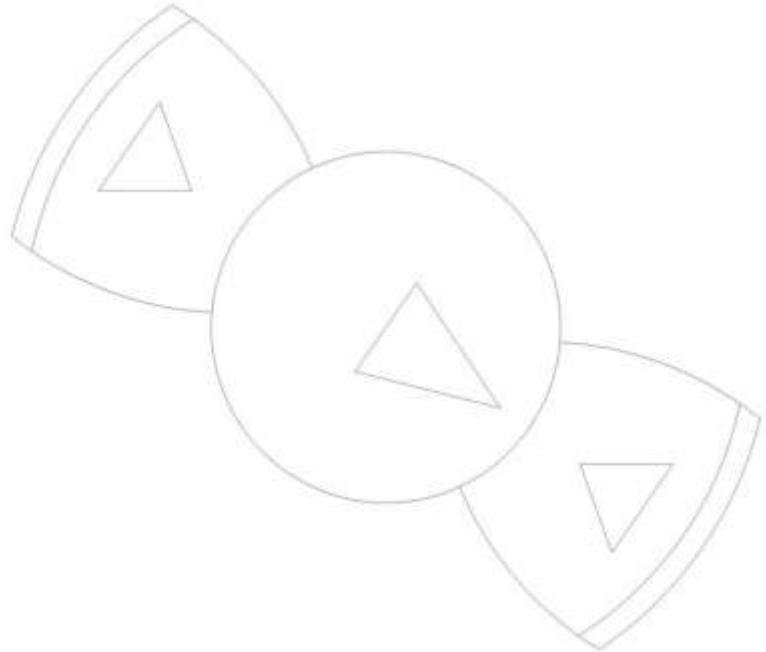
Minimum Order: 1

Package Type: Barrel

Units Per Package: 1

UPS Package Type: Customer Supplied Package

Freight Class: 50



Spike Terminal Clip

Item #
CEP610

Distributor Terminal

Material: Brass

Feed Direction: Chain

Parts Per Carton: 10,000

Parts Per Reel: 10

Overall Length (in):

Overall Length (mm):

Thickness (in): 0.016

Thickness (mm): 0.41

Wire Size (mm):

Type of Handling Units: BAG - Bag

Type of Packages: BAG - Bag

Minimum Order: 1

Package Type: Barrel

Units Per Package: 1

UPS Package Type: Customer Supplied Package

Freight Class: 50



180 Degree Distributor Terminal

Distributor Terminal

Item #
CEP615

Material: Brass

Feed Direction: Loose Piece

Parts Per Carton: 7,000

Parts Per Reel:

Overall Length (in): 0.66

Overall Length (mm): 16.76

Thickness (in): 0.018

Thickness (mm): 0.46

Wire Size (mm): 7.00

Type of Handling Units: BAG - Bag

Type of Packages: BAG - Bag

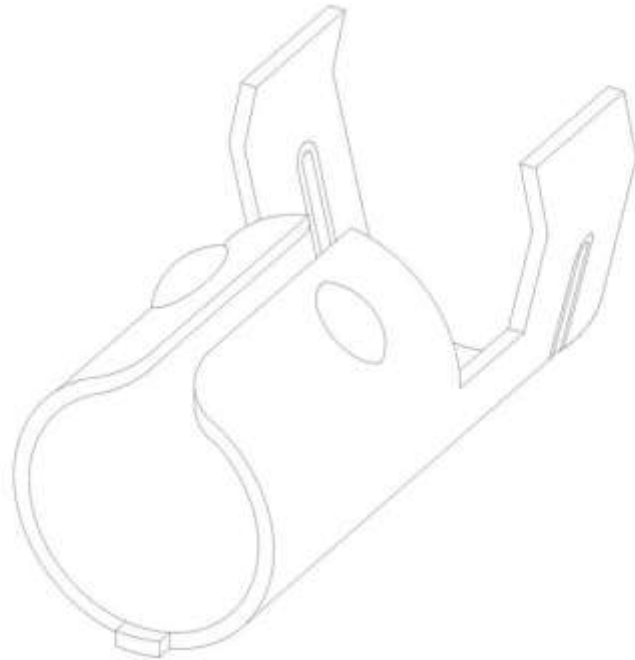
Minimum Order: 1

Package Type: Barrel

Units Per Package: 1

UPS Package Type: Customer Supplied Package

Freight Class: 50



90 Degree Spark Plug Terminal Wide Clip

Spark Plug Terminal

Item #
CEP914S

Material: Stainless Steel

Feed Direction: Loose Piece

Parts Per Carton: 7,000

Parts Per Reel:

Overall Length (in): 0.77

Overall Length (mm): 19.56

Thickness (in): 0.018

Thickness (mm): 0.46

Wire Size (mm): 9.00

Type of Handling Units: BAG - Bag

Type of Packages: BAG - Bag

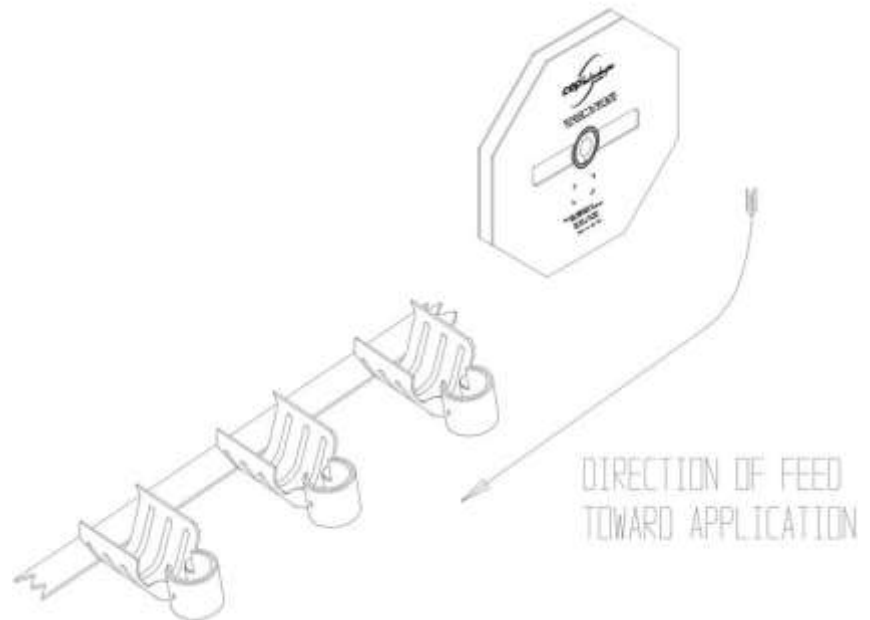
Minimum Order: 1

Package Type: Barrel

Units Per Package: 1

UPS Package Type: Customer Supplied Package

Freight Class: 50



90 Degree Spark Plug Terminal Wide Clip

Spark Plug Terminal

Item #
CEP954

Material: Zinc Plated

Feed Direction: Loose Piece

Parts Per Carton: 7,000

Parts Per Reel:

Overall Length (in): 0.918

Overall Length (mm): 23.32

Thickness (in): 0.02

Thickness (mm): 0.51

Wire Size (mm):

Type of Handling Units: BAG - Bag

Type of Packages: BAG - Bag

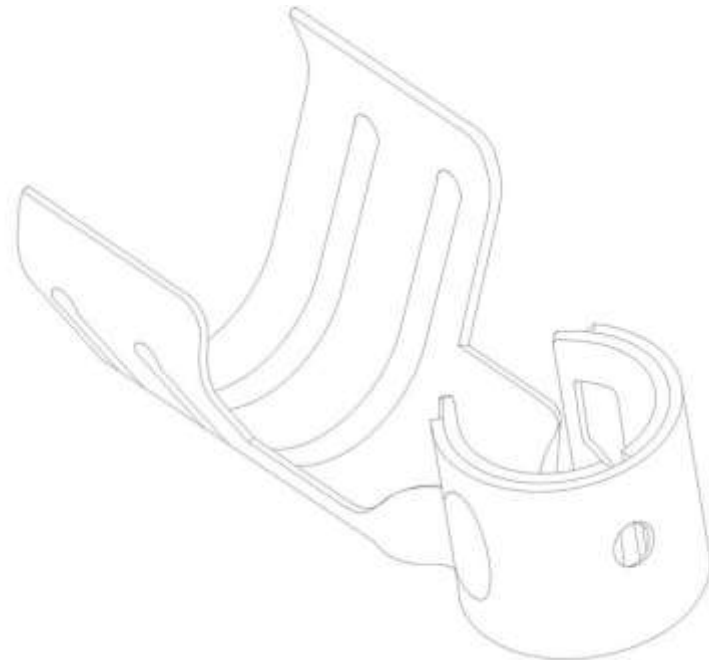
Minimum Order: 1

Package Type: Barrel

Units Per Package: 1

UPS Package Type: Customer Supplied Package

Freight Class: 50



180 Degree Spark Plug Terminal Wide Clip

Spark Plug Terminal

Item #
CEP955

Material: Zinc Plated

Feed Direction: Loose Piece

Parts Per Carton: 7,000

Parts Per Reel:

Overall Length (in): 1.18

Overall Length (mm): 29.97

Thickness (in): 0.02

Thickness (mm): 0.51

Wire Size (mm):

Type of Handling Units: BAG - Bag

Type of Packages: BAG - Bag

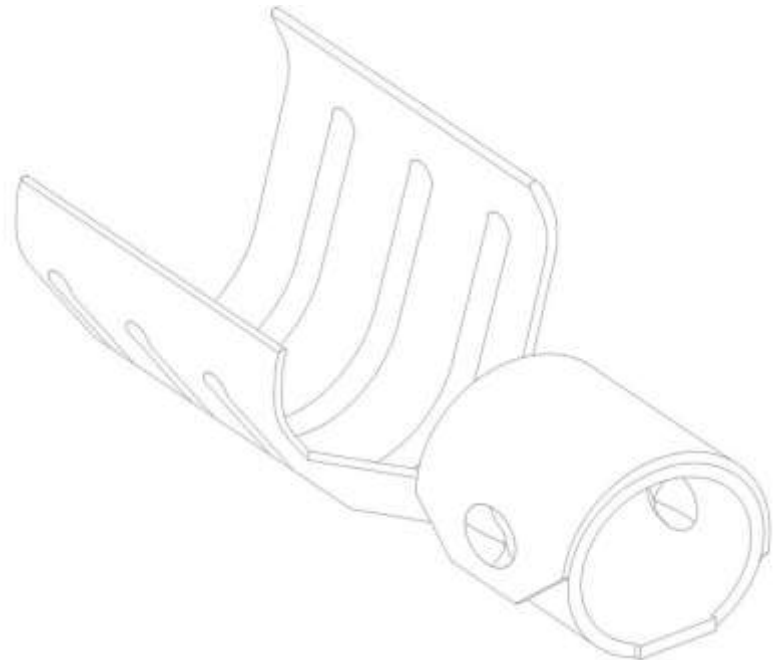
Minimum Order: 1

Package Type: Barrel

Units Per Package: 1

UPS Package Type: Customer Supplied Package

Freight Class: 50



Bendable 180 Degree Spark Plug Terminal Wide Clip

Spark Plug Terminal

Item #
CEP976

Material: Zinc Plated

Feed Direction: Loose Piece

Parts Per Carton: 7,000

Parts Per Reel:

Overall Length (in): 1.76

Overall Length (mm): 44.7

Thickness (in): 0.02

Thickness (mm): 0.51

Wire Size (mm):

Type of Handling Units: BAG - Bag

Type of Packages: BAG - Bag

Minimum Order: 1

Package Type: Barrel

Units Per Package: 1

UPS Package Type: Customer Supplied Package

Freight Class: 50

